

## PRODUCT DESCRIPTION

This low cost compact LCD voltmeter module is ideally suited for high volume applications. It features an exceptionally large display in a miniature package and includes auto-zero and user-selectable decimal points. The module is supplied with a panel mounting bezel.

## FEATURES

- Low Cost
- 12.5mm (0.5") Digit Height
- 200mV d.c. Full Scale Reading
- 1mA (typ) @ +9V d.c. Power Supply
- Auto-zero and Auto-polarity
- User Selectable Decimal Points
- Supplied with Mounting Bezel



## TYPICAL APPLICATIONS

- High Volume, Low Cost Systems
- Power Supply Monitoring
- Panel-Mount Indication

## ORDERING INFORMATION

Standard Meter  
Pack of 10 Meters

Stock Number  
V 125  
V125 (PK of 10)

## ELECTRICAL SPECIFICATIONS

| Specification               | Min.           | Typ. | Max. | Unit          |
|-----------------------------|----------------|------|------|---------------|
| Accuracy (overall error) *  |                | 0.25 |      | % (±3 counts) |
| Linearity                   | 0-1000 reading | ±3   |      | counts        |
|                             | 0-2000 reading | ±5   |      | counts        |
| Sample rate                 |                | 3    |      | samples/sec   |
| Operating temperature range | 0              |      | 50   | °C            |
| Temperature stability       |                | 300  |      | ppm/°C        |
| Supply voltage              | 7.0            | 9    | 12   | V d.c.        |
| Supply current              |                | 1    | 2    | mA            |

\* To ensure maximum accuracy, re-calibrate periodically.

## SAFETY

To comply with the Low Voltage Directive (LVD 93/68/EEC), input voltages to the module's pins must not exceed 60Vdc. The user must ensure that the incorporation of the panel meter into the user's equipment conforms to the relevant sections of BS EN 61010 (Safety Requirements for Electrical Equipment for Measuring, Control and Laboratory Use).

LASCAR ELECTRONICS LTD.  
MODULE HOUSE,  
WHITEPARISH,  
WILTSHIRE SP5 2SJ,  
UK  
TEL: +44 (1794) 884567  
FAX: +44 (1794) 884616  
E-mail: sales@lascar.co.uk

LASCAR ELECTRONICS INC.  
4258 WEST 12th STREET,  
ERIE,  
PA 16505,  
USA  
TEL: +1 (814) 835 0621  
FAX: +1 (814) 838 8141  
E-mail: us-sales@lascarelectronics.com

LASCAR ELECTRONICS (HK) LTD.  
8th FLOOR, CHINA AEROSPACE CENTRE,  
143 HOI BUN ROAD,  
KWUN TONG, KOWLOON,  
HONG KONG  
TEL: +852 2389 6502  
FAX: +852 2389 6535  
E-mail: saleshk@lascar.com.hk

Specifications liable to change without prior warning

V 125

Issue 8

06/2010

S.L.

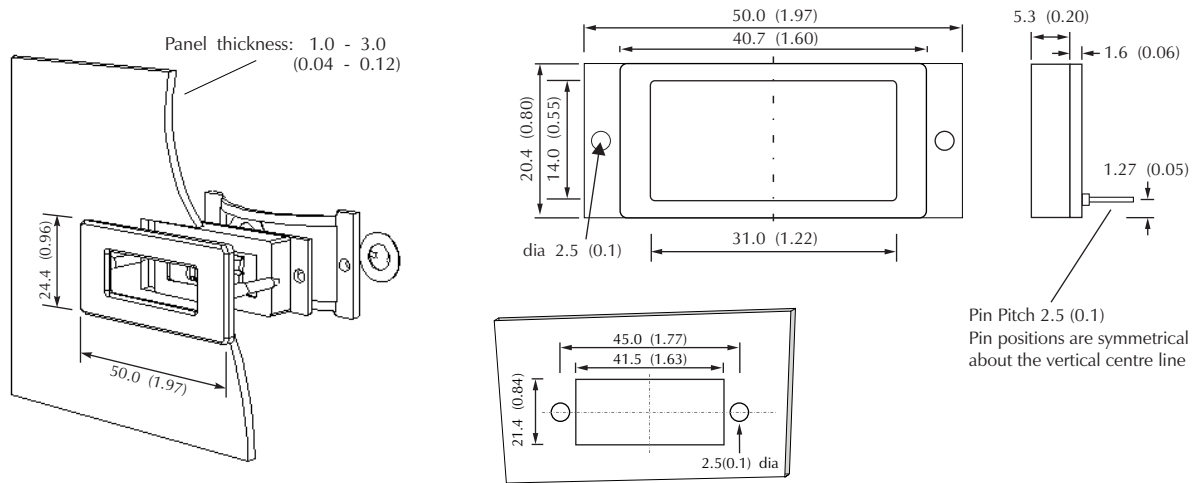
Applies to V 125/2



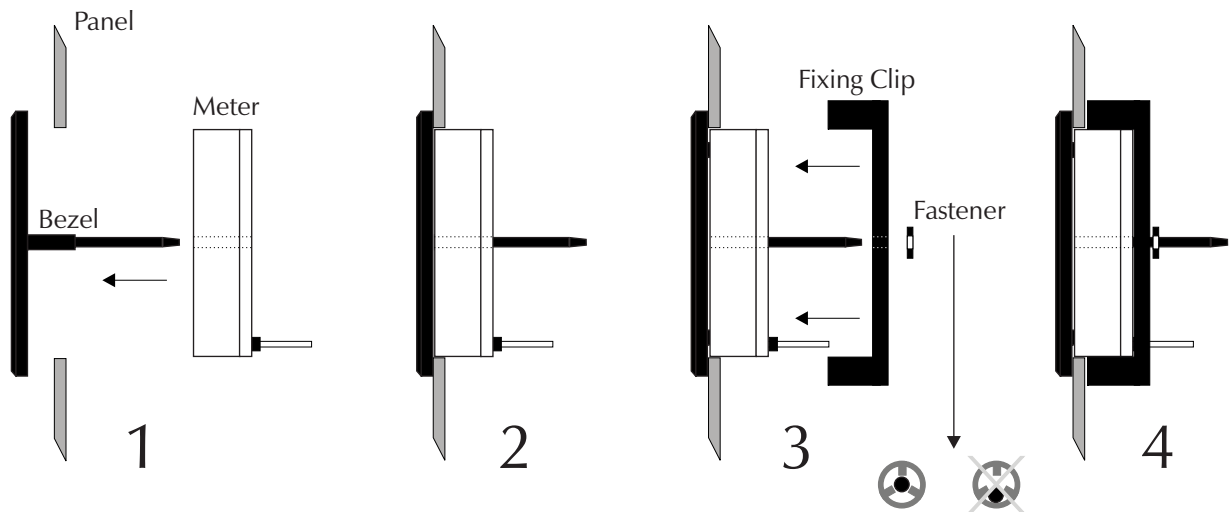
www.lascarelectronics.com

No: 695 -Page 1 of 4

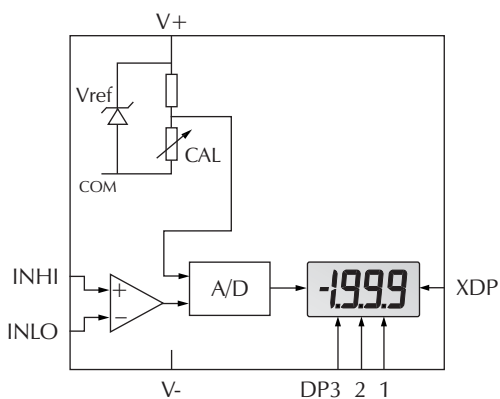
### DIMENSIONS All dimensions in mm (inches)



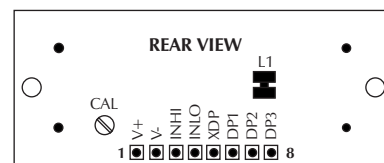
### PANEL FITTING



### FUNCTIONAL BLOCK DIAGRAM



### PIN CONFIGURATION (rear view)



Specifications liable to change without prior warning

V 125

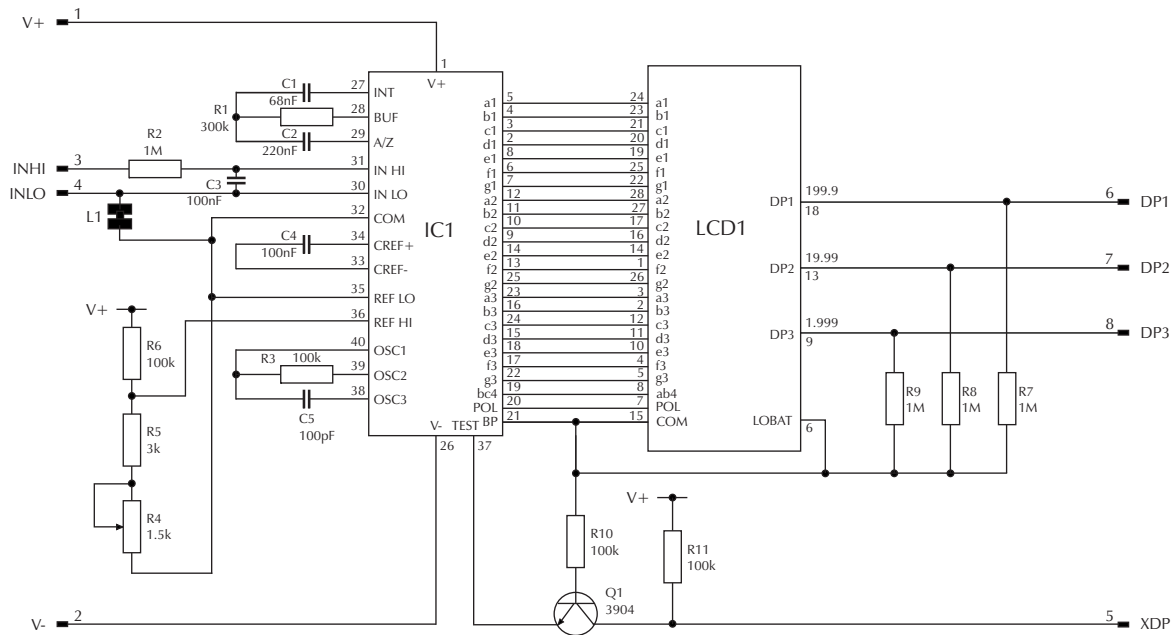
Issue 8

06/2010

S.L.

Applies to V 125/2

## CIRCUIT DIAGRAM



## PIN FUNCTIONS

1. V+ Positive power supply connection.
2. V- Negative power supply connection.
3. INHI Positive measuring input with reference to INLO.
4. INLO Negative measuring input with reference to INHI. } Analogue inputs must be no closer than 1V to either the positive or negative supply.
5. XDP Connect to DP1, 2 or 3 to display required decimal point.
6. DP1 Connect to XDP to display Decimal Point 1 (199.9).
7. DP2 Connect to XDP to display Decimal Point 2 (19.99).
8. DP3 Connect to XDP to display Decimal Point 3 (1.999).

### Solder Links:

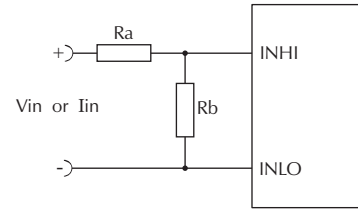
- L1 Normally Closed, connects COM to INLO.

### SCALING

Two resistors Ra and Rb may be used to alter the full scale reading (FSR) of the meter - see table. The meter will have to be re-calibrated by adjusting the calibration Potentiometer on the rear

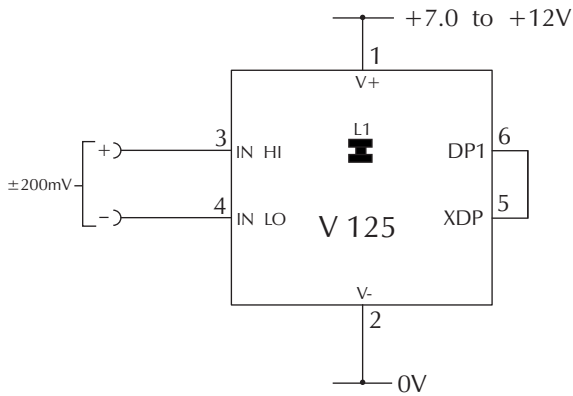
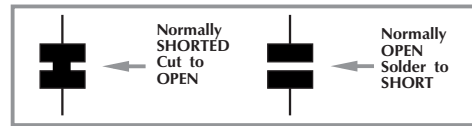
|                | FSR    | Ra   | Rb   |
|----------------|--------|------|------|
| Voltage<br>Vin | 2V     | 910k | 100k |
|                | 20V    | 1M   | 10k  |
|                | 200V   | 1M   | 1k   |
|                | 2000V* | 1M   | 100R |
| Current<br>Iin | 200µA  | 0R   | 1k   |
|                | 2mA    | 0R   | 100R |
|                | 20mA   | 0R   | 10R  |
|                | 200mA  | 0R   | 1R   |

\*Ensure that Ra is rated for high voltage use.

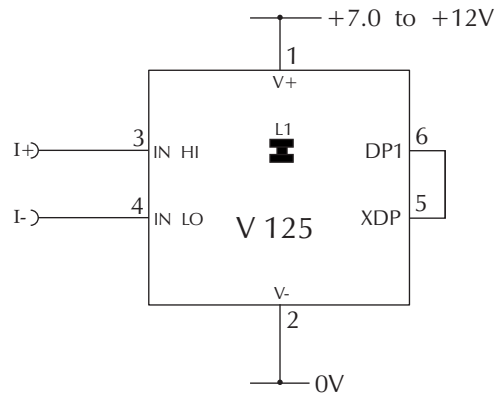


### APPLICATIONS

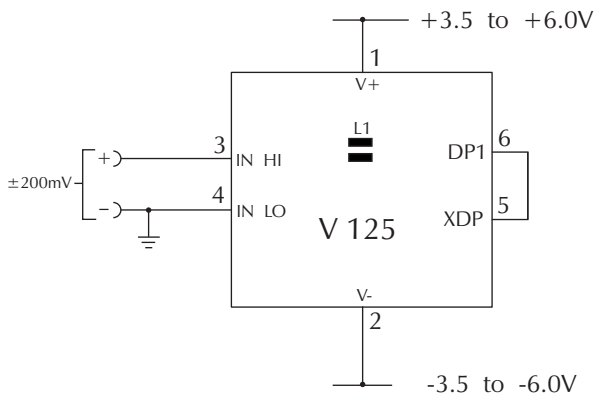
Do not connect more than one meter to the same power supply if the meters cannot use the same signal ground. Taking any input beyond the power supply rails will damage the meter.



Measuring an input voltage referenced to a floating supply, i.e. the input voltage and the meter's power supply are isolated from each other. Check Link L1 is closed.



Measuring a current referenced to a floating supply, i.e. the current being measured and the meter's power supply are isolated from each other. Check Link L1 is closed.



Measuring a single ended input referenced to supply, i.e. the input voltage and the meter's power supply share the same 0V rail. Check Link L1 is open.