

55XXA Portability Kit

Instructions

Introduction

This document provides instructions for the 55XXA Portability Kit (the Kit).

Use the Kit to replace the original 5560A, 5550A, and 5540A Calibrator handles. The Kit replacement handles provide greater product protection and add more hand holds to make the Product easier to lift. The display cover/pouch protects the front panel and can hold assorted test leads or other items.

Figure 1. 55XXA Portability Kit (Installed)



Contact Fluke Calibration

Fluke Corporation operates worldwide. For local contact information, go to our website:
www.flukecal.com

To register your product, view, print, or download the latest Users Manual or manual supplement, go to our website.

Fluke Corporation
P.O. Box 9090
Everett, WA 98206-9090

+1-425-446-5500
info@flukecal.com

Kit Contents

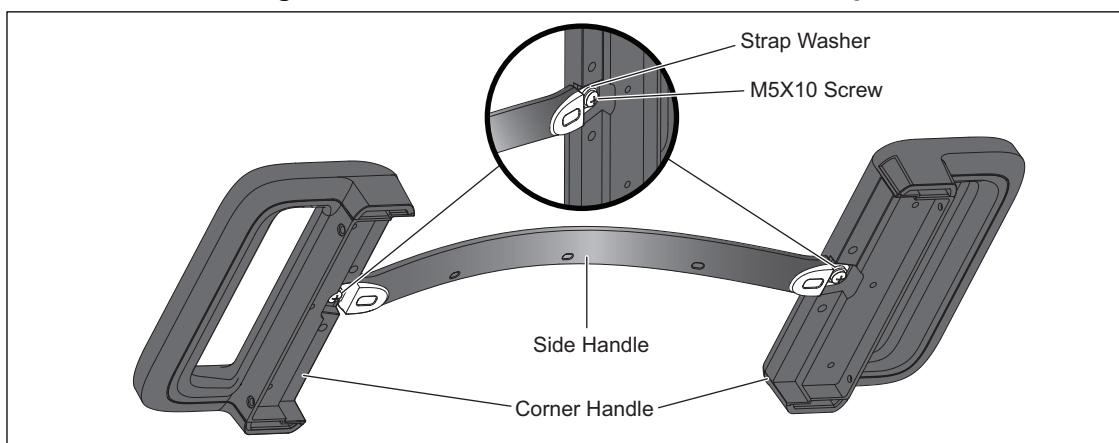
Check to make sure that all of the listed parts are included:

- (4) Corner Handles
- (2) Side Handles
- (4) Cross Bars
- (16) M3x8 Cross Bar Screws
- (20) M4x10 Handle Screws
- (4) M5x10 Screws
- (4) Strap Washers
- (1) Display Cover/Pouch with Straps
- (4) Top and Bottom Display Cover/
Pouch Straps.

Assemble the Handles

Attach the 2 side handles to the 4 corner handles. See [Figure 2](#). For each pair of corner handles, use a Phillips screwdriver to tighten 2 M5X10 screws (torque to 12.5 in-lbs) and 2 strap washers to screw a side handle to the center of each of the corner handles. Once assembled, set the handles aside.

Figure 2. Side Handle and Handle Assembly



Installation

When you install the Kit on the Product, do not remove too many screws from the Product at once. To do so can cause the Product covers to shift and make the Product come apart.

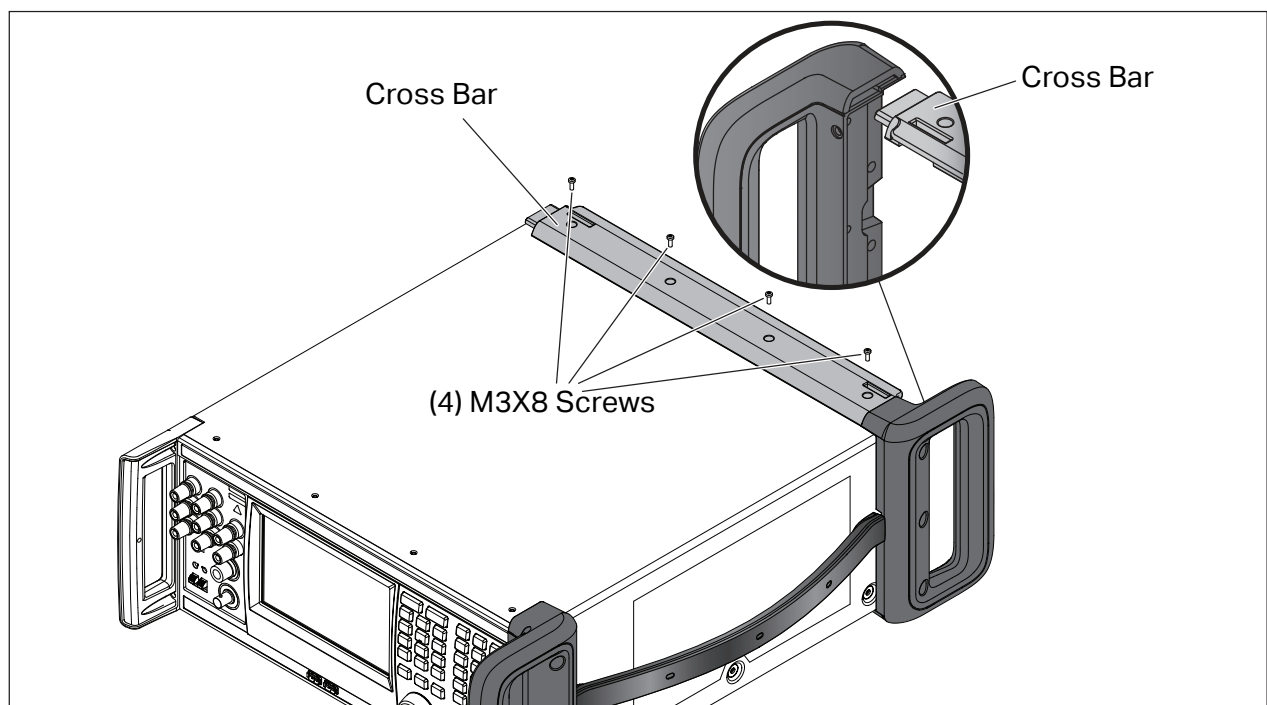
To install the Kit on the Product, See [Figure 3](#):

1. Turn off the Product and remove the mains power cord.
2. Place the Product on a flat surface.
3. Start with one side (left or right). Use a 3 mm hex wrench to remove the side front and rear handles (each handle has 5 screws).
4. With the M4x10 screws, attach one of the handle assemblies to the Product. Use screw holes that held the standard handles. Use five screws for each handle. All 20 M4 handle screws require a Torx T20 drive. Tighten to a torque of 12.5 in-lbs.
5. Attach the top-panel rear cross bar to the Product. See [Figure 3](#):
 - a. On the rear of the Product top-panel, use a Phillips screwdriver to remove the four screws. Do not remove the screws from the top-panel front side yet.
 - b. With the slots of the cross bar facing out, slide one end tab of the cross bar into the hole on the corner handle.
 - c. Use four M3X8 screws to attach the cross bar to the top rear of the Product. The four cross bar screws require a Phillips bit. Torque of 8 in-lbs.

Note

Start each of these screws but wait to tighten until all are started.

Figure 3. Attach the Cross Bar to the Handle and Top of the Product

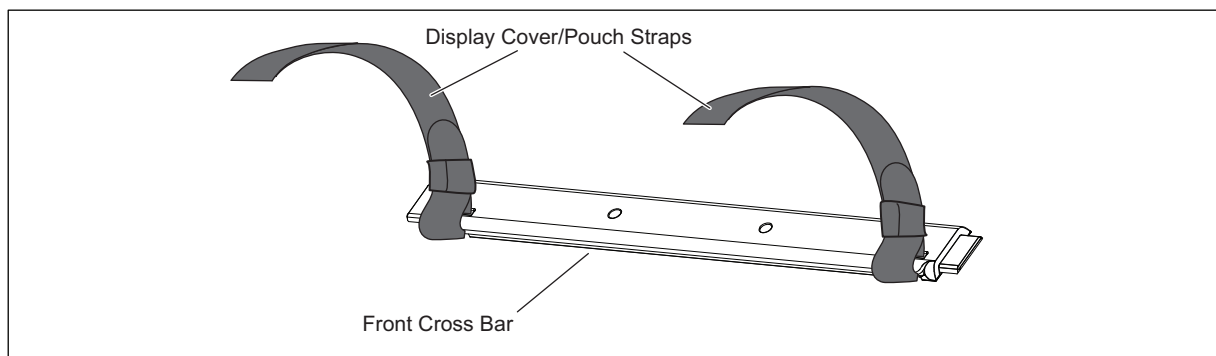


55XXA

Instructions

6. The steps to attach the top-panel front cross bar are similar to attach the top-panel rear cross bar. However, it is easier to attach the cover/pouch to the cross bar first. See [Figure 4](#).
 - a. With the Fluke logo on the display cover/pouch facing you and right-side up, thread the ends of the two top straps through the top slots at of the cross bar.
 - b. Loop the ends around the cross bar and secure the ends to the top of the straps with the hook and loop fasteners.
 - c. Once the straps are attached to the cross bar, attach the top-panel front cross bar to the top of the Product. Remove the screws and replace the cross bar. Make sure the pouch straps are at the front.

Figure 4. Loop Straps Through Cross Bars



7. Turn the Product upside down.
8. Attach the bottom-panel rear cross bar to the bottom of the Product. Remove the screws and replace the cross bar.
9. The steps to attach the bottom-panel front cross bar are similar to the steps to attach the top-panel front cross bar. Attach the last two display cover/pouch straps to the cross bar first. See [Figure 4](#).
10. Once the straps are attached to the cross bar, make sure the cross bar slots face towards the front of the product and attach the bottom-panel front cross bar as you attached the top-panel front cross bar.
11. With the M4x10 screws, attach the other corner handle assembly to the other side of the Product using the screw holes from the standard handles. Use five screws for each handle. Use a Torx T20 driver and torque to 12.5 in-lbs.
12. Make sure that all screws are tightened.
13. Place the Product right-side up, restore the power cable, and connect to power. The Product is ready use.