

# THE NEXT GENERATION OF TENSIONING PUMPS



**ENERPAC** 

▼ Shown: ZUTP-1500SB-H



## Reliability, Power and Precision



### Typical Tensioning Pump Applications

#### Oil and Gas

- Gas turbine rotors
- Compressors
- Gas turbine horizontal and vertical joints

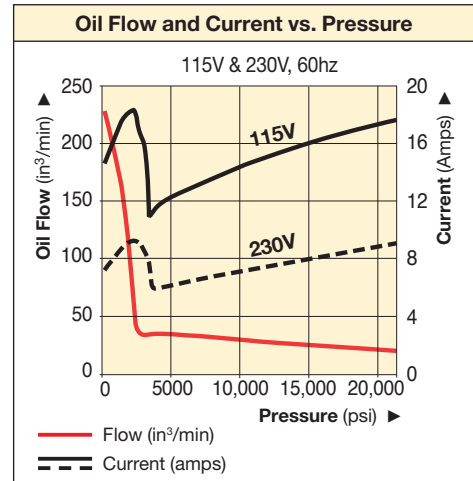
#### Wind Power

- Turbine fastening applications from blade through nacelle and tower to foundation studs

#### Power Plants

- Gas turbine rotors
- Power shaft couplings

- Solenoid-operated valve with 20 ft. pendant for remote control of valve and one-man operation
- Easily accessible manual override valve to release pressure if power is lost
- Safety relief valve limits output pressure
- Two-stage pump design provides high flow at low pressure for fast system fills and controlled flow at high pressure for accurate operation
- 1.7 hp heavy-duty universal motor provides the best performance-to-weight ratio
- Replaceable 10 micron reservoir breather and inline high pressure filter helps maintain oil cleanliness for optimum performance
- Panel-mounted 6" pressure gauge, with polycarbonate cover, is set into the protective metal shroud for improved visibility



# ZUTP-S Series, Electric Tensioning Pump



## ZUTP Series Tensioning Pumps

The ZUTP-Series of pumps achieve high pressure without the need for an intensifier. This allows for low maintenance, resulting in less cost for the end-user.

## Solenoid Valve

The ZUTP1500-S Series with pendant-operated solenoid valve is ideal for multiple bolt tensioning applications as it allows for single-person operation. The operator can pressurize and retract the tensioner directly from the pendant.

## ZUTP-S Series



Useable Oil Capacity:

**1 gallon**

Flow at Rated Pressure:

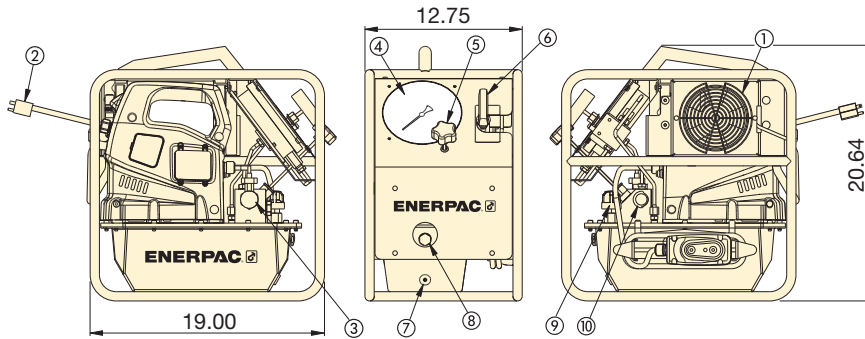
**20.0 in<sup>3</sup>/min.**

Motor Size:

**1.7 hp**

Maximum Operating Pressure:

**21,750 psi**



- ① Heat Exchanger (optional)
- ② Power Cord
- ③ Solenoid Dump Valve
- ④ Analog Pressure Gauge
- ⑤ User Adjustable Pressure Relief Valve
- ⑥ Manual Release Valve
- ⑦ Oil Drain
- ⑧ Oil Level Sight Glass
- ⑨ Breather
- ⑩ Outlet Port Series 116 CEJN Coupler



### Ultra-High Pressure

This pump operates at ultra-high pressure – use only the specified fittings and hoses designed for these pressures.

| Pump Type           | Useable Oil Capacity (gal) | Valve Type | Model Number <sup>1)</sup>     | Output Flow Rate at no load (in <sup>3</sup> /min) | Output Flow Rate at 21,750 psi (in <sup>3</sup> /min) | Motor Electrical Specification | Sound Level (dBA) | Weight with oil (lbs) |
|---------------------|----------------------------|------------|--------------------------------|--|---|--------------------------------|-------------------|-----------------------|
| Ultra high pressure | 1.0                        | Solenoid   | ZUTP-1500SB                    | 230  | 20  | 115 VAC, 1-ph                  | 89                | 65                    |
|                     |                            |            | ZUTP-1500SE <sup>2)</sup>      |  |   | 230 VAC, 1-ph                  |                   |                       |
|                     |                            |            | ZUTP-1500SI <sup>3)</sup>      |  |   | 230 VAC, 1-ph                  |                   |                       |
| Ultra high pressure | 1.0                        | Solenoid   | ZUTP-1500SB-H <sup>4)</sup>    | 230  | 20  | 115 VAC, 1-ph                  | 89                | 75                    |
|                     |                            |            | ZUTP-1500SE-H <sup>2) 4)</sup> |  |   | 230 VAC, 1-ph                  |                   |                       |
|                     |                            |            | ZUTP-1500SI-H <sup>3) 4)</sup> |  |   | 230 VAC, 1-ph                  |                   |                       |

<sup>1)</sup> All models meet CE safety requirements and all TÜV requirements.

<sup>2)</sup> European plug and CE EMC directive compliant.

<sup>3)</sup> With NEMA 6-15 plug.

<sup>4)</sup> Add suffix "H" for factory installation of Heat Exchanger.

| Model Number | Hoses | End 1              | End 2              | Length (ft) | Description                               | Fittings | Complete Set | Female Half | Male Half |
|--------------|-------|--------------------|--------------------|-------------|---|----------|--------------|-------------|-----------|
| HT-1503      |       | G 1/4<br>120° Cone | G 1/4<br>120° Cone | 3.28        | Quick Disconnect Coupler*                 |          | B150         | BR150       | BH150     |
| HT-1510      |       | G 1/4<br>120° Cone | G 1/4<br>120° Cone | 9.84        | Quick Disconnect Coupler and Adaptor Kit* |          | BW150AW      | –           | –         |
| HT-1503HR*   |       | BH150              | BR150              | 3.28        |   |          |              |             |           |
| HT-1510HR*   |       | BH150              | BR150              | 9.84        | Quick Disconnect Blanking Coupler Set*    |          | B150B        | –           | –         |

\* Includes dust caps



# PUMP SOLUTIONS FOR EVERY BOLTING NEED

## Torque Pumps



TQ-700 Series,  
Electric



ZA4T-Series,  
Air



ZU4T-Series,  
Electric



ZE-T Series,  
Electric



PMU-Series,  
Electric

## Tensioning Pumps



ZUTP-Series,  
Electric



ATP-Series,  
Pneumatic



HPT-Series,  
Hand

[www.enerpac.com](http://www.enerpac.com)

**Enerpac Worldwide Locations**  
For a complete list of addresses see:  
[www.enerpac.com/en/enerpac-locations](http://www.enerpac.com/en/enerpac-locations)  
User Inquiries: 800-433-2766  
Distributor Inquiries: 800-558-0530

Your Enerpac Distributor:

732\_03-030141718\_EN-US © 2018 Enerpac - Subject to change without notice.

**ENERPAC**   
POWERFUL SOLUTIONS. GLOBAL FORCE.