

▼ Pumps shown, from top to bottom: P-802, P-842, P-202, P-142



## Exclusively from Enerpac



### Cylinder Matching Chart

For help in selecting the correct hand pump for your application, please refer to the Cylinder Matching Chart located in the “Yellow Pages”.

Page: 276



### Speed Chart

To determine how a specific pump will operate your cylinder, see the Pump/Cylinder Speed Chart in the “Yellow Pages”.

Page: 283



### Tank Kits

When a return-to-tank port is required, the Tank Kits provide a 7/16-20 port at the rear of the reservoir.

**PC-20** Fits P-141, P-142

**PC-25** Fits P-202, P-391, P-392



### LX-101 Hand Pump Oil

A medium viscosity oil specially formulated for hand pumps. Performs well in low temperatures and requires less pumping effort than standard Enerpac HF blue oil.

Page: 136

- Lightweight and compact design
- Durable glass-filled nylon reservoir and nylon encapsulated aluminum pump base for maximum corrosion resistance
- Two-speed operation on most models reduces handle strokes by as much as 78% over single speed pumps
- Lower handle effort to minimize operator fatigue
- Integral 4-way valve on P-842 for operation of double-acting cylinders
- Handle lock and lightweight construction for easy carrying
- Large oil capacities to power a wide range of cylinders or tools
- Non-conductive fiberglass handle for operator safety
- Internal pressure relief valve for overload protection

▼ P-392 in action with RC-256 cylinders.

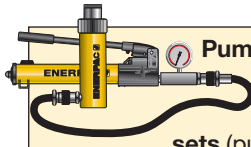


Pump Type	Usable Oil Capacity (in <sup>3</sup> )	Model Number	Pressure Rating*		Oil Displacement per Stroke		Max. Handle Effort (lbs)
			(psi)		(in <sup>3</sup> )		
			1 <sup>st</sup> stage	2 <sup>nd</sup> stage	1 <sup>st</sup> stage	2 <sup>nd</sup> stage	
Single speed	20	P-141	N/A	10,000	N/A	.055	72
	55	P-391	N/A	10,000	N/A	.151	85
Two speed	20	P-142**	200	10,000	.221	.055	78
	55	P-202	200	10,000	.221	.055	63
	55	P-392**	200	10,000	.687	.151	93
	155	P-802	400	10,000	2.40	.151	95
	155	P-842***	400	10,000	2.40	.151	95

\* Contact Enerpac for applications where operating pressure is less than 10% of pressure rating.

\*\* Available as set, see note on top of next page.

\*\*\* For use with double-acting cylinders.



**Pump and Cylinder Sets**  
Pumps marked with an \*\* are available as sets (pump, cylinder, gauge, couplers and hose) for your ordering convenience.

Page: 52

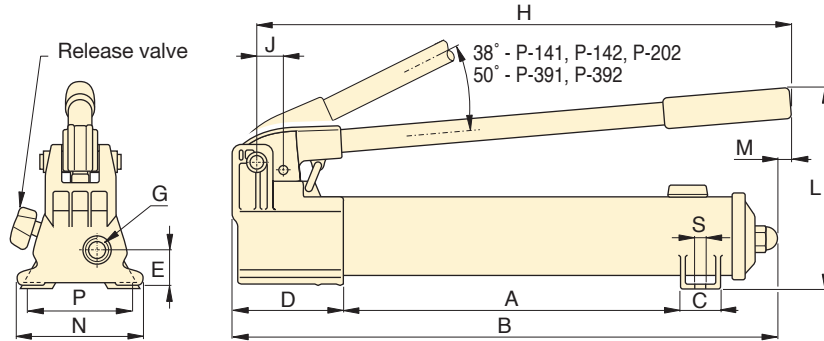
## P Series



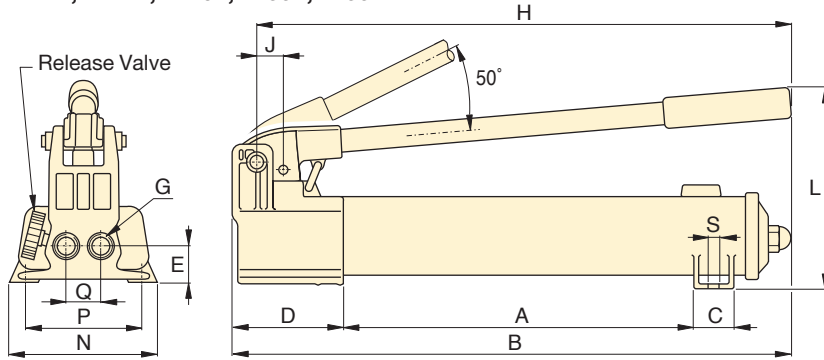
Reservoir Capacity:  
**20-155 in<sup>3</sup>**

Flow at Rated Pressure:  
**.055-.15 in<sup>3</sup>/stroke**

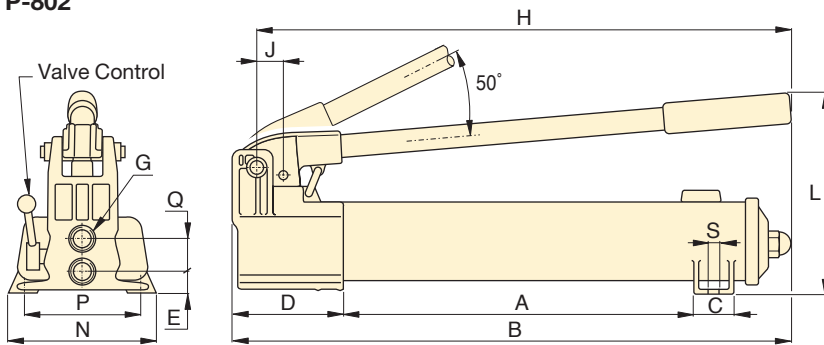
Maximum Operating Pressure:  
**10,000 psi**




**P-141, P-142, P-202, P-391, P-392**



**P-802**




**P-842**




**Hoses**  
Enerpac offers a complete line of high-quality hydraulic hoses. To ensure the integrity of your system, specify only genuine Enerpac hydraulic hoses.

Page: 132



**GA45GC Gauge Adaptor**  
Protect yourself from system overloading by simply ordering one part number for a pre-assembled gauge, adaptor block and coupler.

Page: 144



**Aluminum Reservoir**  
For applications where composite reservoirs may not be suitable, the **P-392AL** utilizes an extruded aluminum reservoir. Also included is a second handle for two-hand use. Contact Enerpac for details.

Piston Stroke	Dimensions (in)															Weight (lbs)	Model Number
	(in)	A	B	C	D	E	G	H	J	L	M	N	P	Q	S		
.50	7.31	13.25	1.13	3.37	1.13	1/4"-18 NPTF	12.56	.75	5.63	-	3.75	3.25	-	.28	4.5	<b>P-141</b>	
1.00	13.56	21.00	1.44	3.93	1.31	3/8"-18 NPTF	20.56	1.19	7.00	.63	4.75	-	-	-	9.0	<b>P-391</b>	
.50	7.31	13.25	1.13	3.37	1.13	1/4"-18 NPTF	12.56	.75	5.63	-	3.75	3.25	-	.28	5.3	<b>P-142**</b>	
.50	13.56	20.06	1.44	3.37	1.13	1/4"-18 NPTF	15.75	.75	5.69	.63	3.75	-	-	-	7.5	<b>P-202</b>	
1.00	13.56	21.00	1.44	3.93	1.31	3/8"-18 NPTF	20.56	1.19	7.00	.63	-	-	-	-	9.0	<b>P-392**</b>	
1.00	13.30	21.75	1.78	5.25	1.39	3/8"-18 NPTF	20.75	2.19	9.00	-	7.12	6.02	1.40	.41	18.0	<b>P-802</b>	
1.00	13.30	21.75	1.78	5.25	.81	3/8"-18 NPTF	20.75	2.19	9.00	-	7.12	6.02	1.44	.41	22.0	<b>P-842***</b>	

▼ Shown from left to right: P-77, P-80, P-84, P-801, P-39



## The Solution for Tough Jobs



### Two Speed Pumps

Recommended for applications where cylinder plunger must advance rapidly to contact load, and applications where greater oil capacities are required, such as multiple cylinder hook-ups.



### Foot Pump Conversion Kits

Convert your **P39, P77, P80, or P801** to foot power with the **PC-11** Kit. Includes instructions for easy conversion.



### GA45GC Gauge Adaptor

Protect yourself from system overloading by simply ordering one part number for a pre-assembled gauge, adaptor block and coupler.

Page: 144



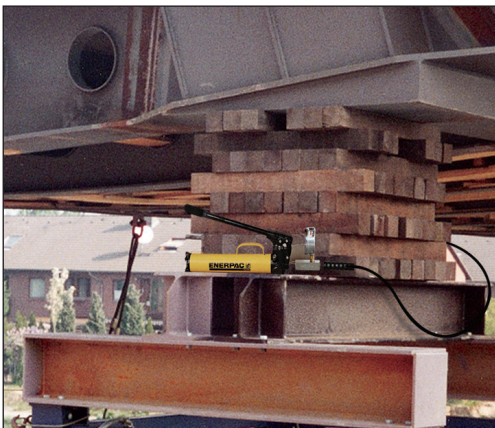
### 4-Way Control Valve

P-84 and P-464 feature a manual 4-way control valve, designed for use with one double-acting or two single-acting cylinders. For system set-up information:

Page: 278

- Reduced handle effort and ergonomic grip for less operator fatigue
- Two-speed operation for fast and easy operation (except P-39)
- Vent free reservoir eliminates spills
- Quick grip handle allows for easy transport
- Integral reservoir over-pressurization protection
- All steel construction, chrome plated plunger and wiper system for durable, long lasting performance
- 4-way valving on the P84 and P-464 for operation of double-acting cylinders

▼ In the absence of a power supply, the P-80 Hand Pump offers a powerful solution.



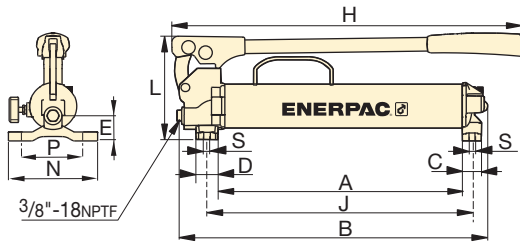
Pump Type	Usable Oil Capacity (in <sup>3</sup> )	Model Number	Pressure Rating*		Oil Displacement per Stroke (in <sup>3</sup> )		Max. Handle Effort (lbs)
			1 <sup>st</sup> stage	2 <sup>nd</sup> stage	1 <sup>st</sup> stage	2 <sup>nd</sup> stage	
Single	41	P-39	N/C	10,000	N/C	.15	85
Two-speed	41	P-77	500	10,000	1.00	.15	88
	134	P-80**	500	10,000	1.00	.15	77
	250	P-801	500	10,000	1.00	.15	77
	134	P-84***	500	10,000	1.00	.15	77
	453	P-462	200	10,000	7.69	.29	110
	453	P-464***	200	10,000	7.69	.29	110

\* Contact Enerpac for applications where operating pressure is less than 10% of pressure rating.

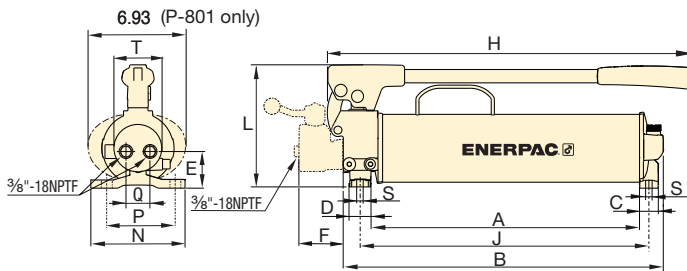
\*\* Available as a set, see note on next page.

\*\*\* For use with double-acting cylinders.

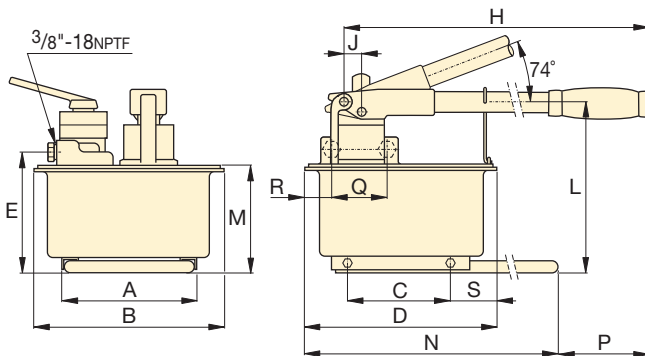
# Steel Hand Pumps



**P-39, P-77**



**P-80, P-801, P-84**



**P-462, P-464**

## P Series



Reservoir Capacity:  
**47- 453 in<sup>3</sup>**

Flow at Rated Pressure:  
**.15 - .29 in<sup>3</sup>/stroke**

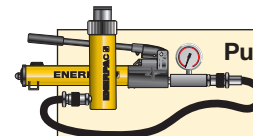
Maximum Operating Pressure:  
**10,000 psi**



### Extra Capacity Hand Pumps

**P-462 and P-464** feature extra-large reservoirs and a high first-stage flow rate.

These pumps are ideally suited for powering high-capacity cylinders.



### Pump and Cylinder Sets

P-80 is also available as a set (pump, cylinder, gauge, couplers and hose) for your ordering convenience.

Page: 52



### Cylinder Matching Chart

For help in selecting the correct hand pump for your application, please refer to the Cylinder Matching Chart located in the "Yellow Pages."

Page: 276

Piston Stroke	Dimensions (in)																Weight (lbs)	Model Number
	(in)	A	B	C	D	E	F	H	J	L	M	N	P	Q	R	S		
1.00	15.09	18.91	1.18	1.38	1.48	-	21.63	16.37	6.39	-	5.51	4.37	-	-	0.33	-	13.6	<b>P-39</b>
1.00	15.39	19.19	1.18	1.38	1.86	-	21.63	16.67	6.39	-	5.51	4.37	-	-	0.33	-	15.6	<b>P-77</b>
1.00	16.83	20.12	1.18	1.38	2.17	-	23.50	18.11	7.65	-	5.91	4.76	1.65	-	0.33	2.93	23.6	<b>P-80**</b>
1.00	16.83	20.12	1.18	1.38	2.17	-	23.50	18.11	7.65	-	5.91	4.76	1.65	-	0.33	2.93	31.0	<b>P-801</b>
1.00	16.83	20.06	1.18	1.38	2.30	2.77	22.78	18.11	7.65	-	5.91	4.76	1.50	-	0.33	2.93	26.0	<b>P-84***</b>
1.50	8.25	12.13	6.42	12.63	7.68	-	26.44	.98	10.63	6.89	25.6	3.63	-	-	3.13	-	61.0	<b>P-462</b>
1.50	8.35	12.13	6.42	12.63	7.68	-	26.44	.98	10.63	6.89	25.6	3.63	3.50	2.68	3.13	-	61.0	<b>P-464***</b>



▼ Shown from left to right: P-25, P-51, P-18



## When Less Than 10,000 psi is All You Need

- P-25 and P-50 pump oil in both forward and reverse handle movement improving overall efficiency, ideal when mounting space is restricted
- External load-release valve
- Internal pressure-relief valve for overload protection
- P-51 can be operated in horizontal and vertical position with pump head and oil outlet facing downwards



### LX-101 Hand Pump Oil

A medium viscosity oil specially formulated for hand pumps. Performs well in low temperatures and requires less pumping effort than standard Enerpac HF blue oil.

Page: 136



### GA45GC Gauge Adaptor

Protect yourself from system overloading by simply ordering one part number for a pre-assembled gauge, adaptor block and coupler.

Page: 144

▼ P-18 hand pump used for locking the rotating table for marble polishing.



Pump Type	Usable Oil Capacity (in <sup>3</sup> )	Model Number	Pressure Rating (psi)	Oil Displacement per Stroke (in <sup>3</sup> )	Max. Handle Effort (lbs)
Single-speed	18	P-18	2,850	0.16	34
	200	P-25	2,500	0.58	60
	200	P-50	5,000	0.29	60
	50	P-51	3,000	0.25	61

# Low Pressure Hand Pumps

## P Series



Reservoir Capacity:

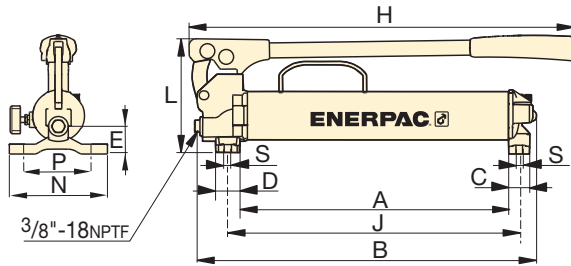
**18-200 in<sup>3</sup>**

Flow at Rated Pressure:

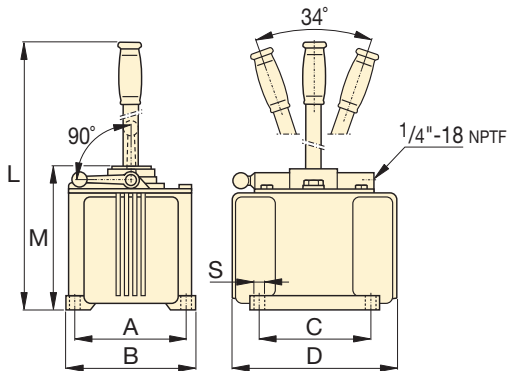
**.16-.58 in<sup>3</sup>/stroke**

Maximum Operating Pressure:

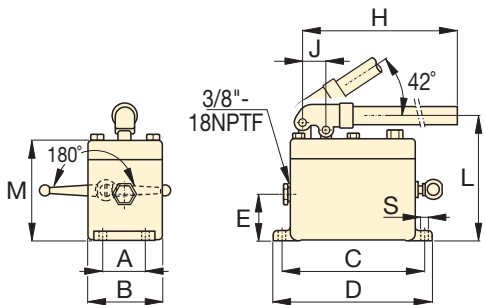
**2,500-5,000 psi**



**P-18**



**P-25, P-50**



**P-51**



### Hoses

Enerpac offers a complete line of high-quality hydraulic hoses. To ensure the integrity of your system, specify only genuine Enerpac hydraulic hoses.

Page: 132

*P-51 hand pumps used with RC-series cylinders to keep wooden layers under pressure during lamination of plates.*



Piston Stroke	Dimensions (in)												Weight (lbs)	Model Number
	(in)	A	B	C	D	E	H	J	L	M	N	P		
1.00	8.70	12.44	1.18	1.38	1.48	15.17	9.98	6.39	–	5.51	4.37	.33	11	P-18
1.50	6.00	6.82	6.00	9.43	–	–	–	26.94	7.88	–	–	.40	36	P-25
1.50	6.00	6.82	6.00	9.43	–	–	–	26.94	7.88	–	–	.40	37	P-50
1.00	2.06	3.63	7.12	7.88	2.25	24.00	1.16	6.31	5.06	–	–	.34	12	P-51

# Lightweight Hydraulic Foot Pump

▼ Shown: P-392FP



## P Series

Reservoir Capacity:

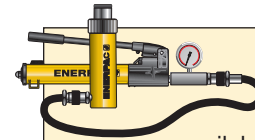
**38 in<sup>3</sup>**

Flow at Rated Pressure:

**.151 in<sup>3</sup>/stroke**

Maximum Operating Pressure:

**10,000 psi**



### Pump and Cylinder Sets

The P-392FP is available as **sets** (pump, cylinder, gauge, couplers and hose) for your ordering convenience.

Page: 52

- Robust, durable and compact
  - Steel frame for maximum stability
  - Steel pumping handle
  - Aluminum reservoir
- Foot pedal lock and lightweight construction for portability
- Two-speed operation reduces foot pedal strokes
- Large foot-pad release valve for controlling load descent
- Internal pressure relief valve for overload protection

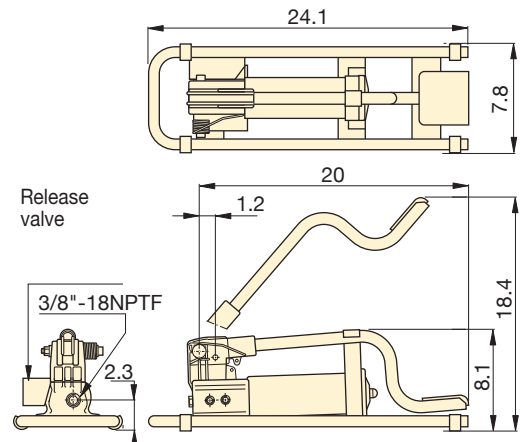


### Hoses

Enerpac offers a complete line of high-quality hydraulic hoses. To ensure the integrity of your system, specify only genuine Enerpac hydraulic hoses.

Page: 132

▼ P-392FP offers the advantage of hands-free operation to handle and control the tool or cylinder.



Usable Oil Capacity (in <sup>3</sup> )	Model Number	Pressure Rating (psi)		Oil Displacement per Stroke (in <sup>3</sup> )		Max. Handle Effort (lbs)	Piston Stroke (in)	Weight (lbs)
		1st stage	2nd stage	1st stage	2nd stage			
30	P-392FP *	200	10,000	.687	.151	125	1	16

\* Available as set, see note on this page.

▼ Shown from left to right: P-142ALSS, P-392ALSS, V-152NV, V-66NV, RC256NV, RC-106NV, RC-53NV



## RC, P, V Series

Cylinder Capacity:  
**5-25 tons**

Stroke:  
**2-6 inches**

Maximum Operating Pressure:  
**10,000 psi**



### Applications

Use Enerpac **Extreme Environment Products** in wet environments such as food processing, pulp and paper, mining, construction and applications in high temperature or in welding areas.

- Corrosion resistant, nickel-plated valves and cylinders
- Stainless steel pump inserts will not corrode
- Viton® Seals provide heat and chemical resistance
- Anodized aluminum pump reservoirs and plastic encapsulated pump bodies resist wet environments
- Two-speed operation reduces pump handle strokes 78% compared to single-speed pumps
- Pump handles lock for easy carrying



### Multifluid Hand Pumps

**MP-Series** corrosion resistant hand pumps for low pressure filling and high pressure testing applications, suitable for a wide range of fluids.

Page: 77

### ▼ CYLINDER CHART



Cylinder Capacity	Stroke	Model Number *	Oil Capacity	Pressure Rating	Collapsed Height	Extended Height	Outside Diameter	Weight
(ton)	(in)		(in <sup>3</sup> )	(psi)	(in)	(in)	(in)	(lbs)
5	3.0	RC-53NV	2.98	10,000	6.50	9.50	1.50	3.3
10	2.0	RC-102NV	4.75	10,000	4.78	6.91	2.25	5.1
10	6.0	RC-106NV	13.70	10,000	9.75	15.88	2.25	9.8
25	6.0	RC-256NV	32.23	10,000	10.75	17.00	3.38	22.0

### ▼ HAND PUMP CHART



Pump Type	Oil Capacity	Model Number *	Pressure Rating	Oil Displacement per Stroke	Port Dimension	Piston Stroke	Weight
	(in <sup>3</sup> )		(psi)	(in <sup>3</sup> )	(in)	(in)	(lbs)
Two Speed	20	P-142ALSS	200/10,000	0.221 / 0.055	1/4"-18 NPTF	.50	4.5
	55	P-392ALSS	200/10,000	0.687 / 0.151	3/8"-18 NPTF	1.00	9.0

### ▼ VALVE CHART



Valve Type	Model Number *	Pressure Function	Pressure Rating (psi)	Weight (lbs)
Manual Check Valve	V-66NV	Check	10,000	4.5
Pressure Relief Valve	V-152NV	+ 3% Repeatability	800-10,000	9.0

\* For cylinder details see pages 7-9; for pump details see pages 70-71; for valve details see pages 146-147.