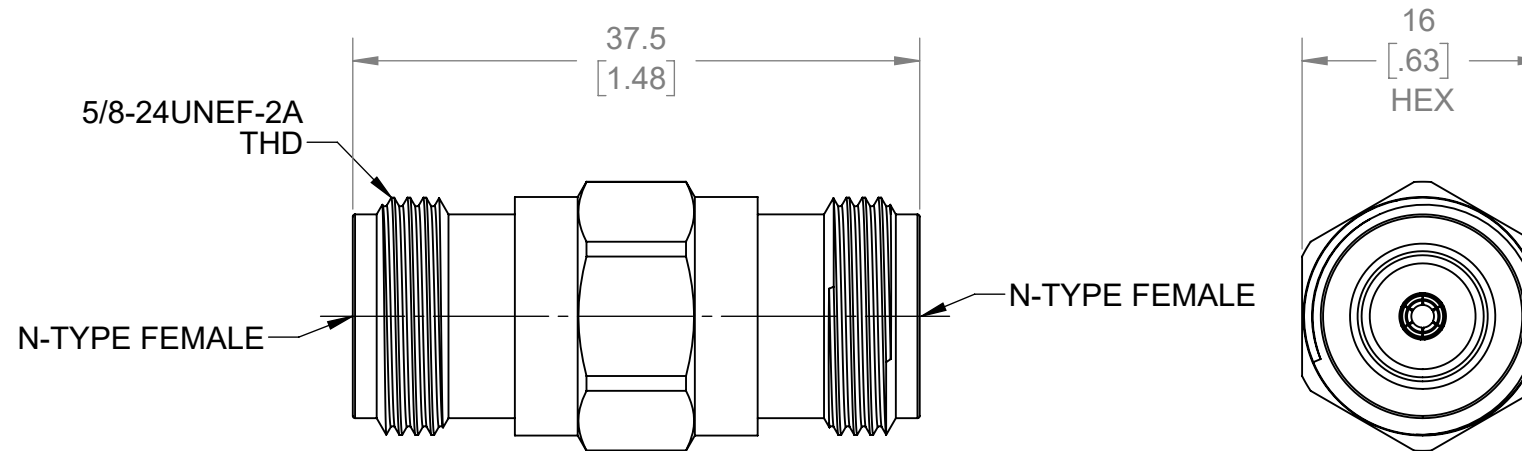


THIS IS ISSUED IN STRICT CONFIDENCE THAT IT IS NOT USED AS A BASIS FOR MANUFACTURE OR SALE AND THAT IT IS NOT COPIED, REPRINTED OR DISCLOSED TO A THIRD PARTY EITHER WHOLLY OR IN PART WITHOUT THE PRIOR WRITTEN CONSENT OF CAL TEST ELECTRONICS, INC.

REVISIONS			
REV.	DESCRIPTION	DATE	APPROVED
A	INITIAL RELEASE	7/22/2021	B. HANSEN

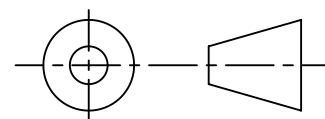
NOTES:

- ALL SPECIFICATIONS SUBJECT TO CHANGE WITHOUT NOTICE.
- ADAPTER TO MEET OR EXCEED ALL SPECIFICATIONS PER MIL-39012.
- MATING DIMENSIONS IN ACCORDANCE WITH MIL-STD-348.
- VSWR AND FREQUENCY RANGE SPECIFICATIONS ARE FOR REFERENCE AND ARE DEPENDANT ON CABLE TYPE AND OTHER APPLICATION SPECIFIC CONDITIONS.
- MATERIAL:
 - BODY: STAINLESS STEEL, PASSIVATED
 - CENTER CONTACT: BeCu, GOLD PLATED
 - DIELECTRIC: PTFE
- ELECTRICAL:
 - IMPEDANCE: 50 Ω
 - FREQUENCY: DC - 11 GHz
 - INSULATION RESISTANCE: 5,000 MΩ MIN @ SEA LEVEL
 - DIELECTRIC WITHSTANDING VOLTAGE: 1,000 V MAX @ SEA LEVEL
 - VSWR: ≤1.20:1 @ 11 GHz
 - INSERTION LOSS: 0.05 dB @ 9 GHz
- MECHANICAL:
 - TEMPERATURE RANGE: -55°C TO +85°C
- COUNTRY OF ORIGIN: CHINA
- RoHS AND REACH COMPLIANT.



ISOMETRIC VIEW
FULL SCALE

THIRD ANGLE PROJECTION



REFERENCE

CT3350A	IN-SERIES	IN-LINE
MODEL NUMBER	CONFIGURATION	NOTES / REFERENCE

MODEL NUMBER TABLE

UNLESS OTHERWISE SPECIFIED DIMENSIONS ARE IN MILLIMETERS TOLERANCES ARE: X.X = ±0.5 X.X* = ±0.5* X.XX = ±0.25 X.XXX = ±0.125 DO NOT SCALE DRAWING	PROJECT NO.	A598		METRIC Cal Test 22820 Savi Ranch Prky. Yorba Linda, CA 92887 USA			
	APPROVALS	DATE	TITLE				
MATERIAL	DRAWN	WDH	7/22/2021	ADAPTER, N-TYPE FEMALE TO N-TYPE FEMALE, 50 Ω, INSTRUMENT GRADE			
SEE NOTES	CHECKER						
TREATMENT	ENGR.	B. HANSEN	7/7/2021	SIZE	CAGE CODE	DWG. NO.	REV.
FINISH	DESIGN ACTIVITY			B	43F45	CT3350A	A
SEE NOTES				SCALE	2:1	SHEET	1 OF 1