

# Beamex PG

PRESSURE GENERATORS



105

Beamex **PGXH** | **PGPH** | **PGM** | **PGL** | **PGV**

Beamex PG pressure generators are portable hand-operated pressure generators and ultimate field calibration pumps

7987734875983479598A3  
6798654545454546  
7987405405405132132131  
625879859836458734657  
685348767936846534600

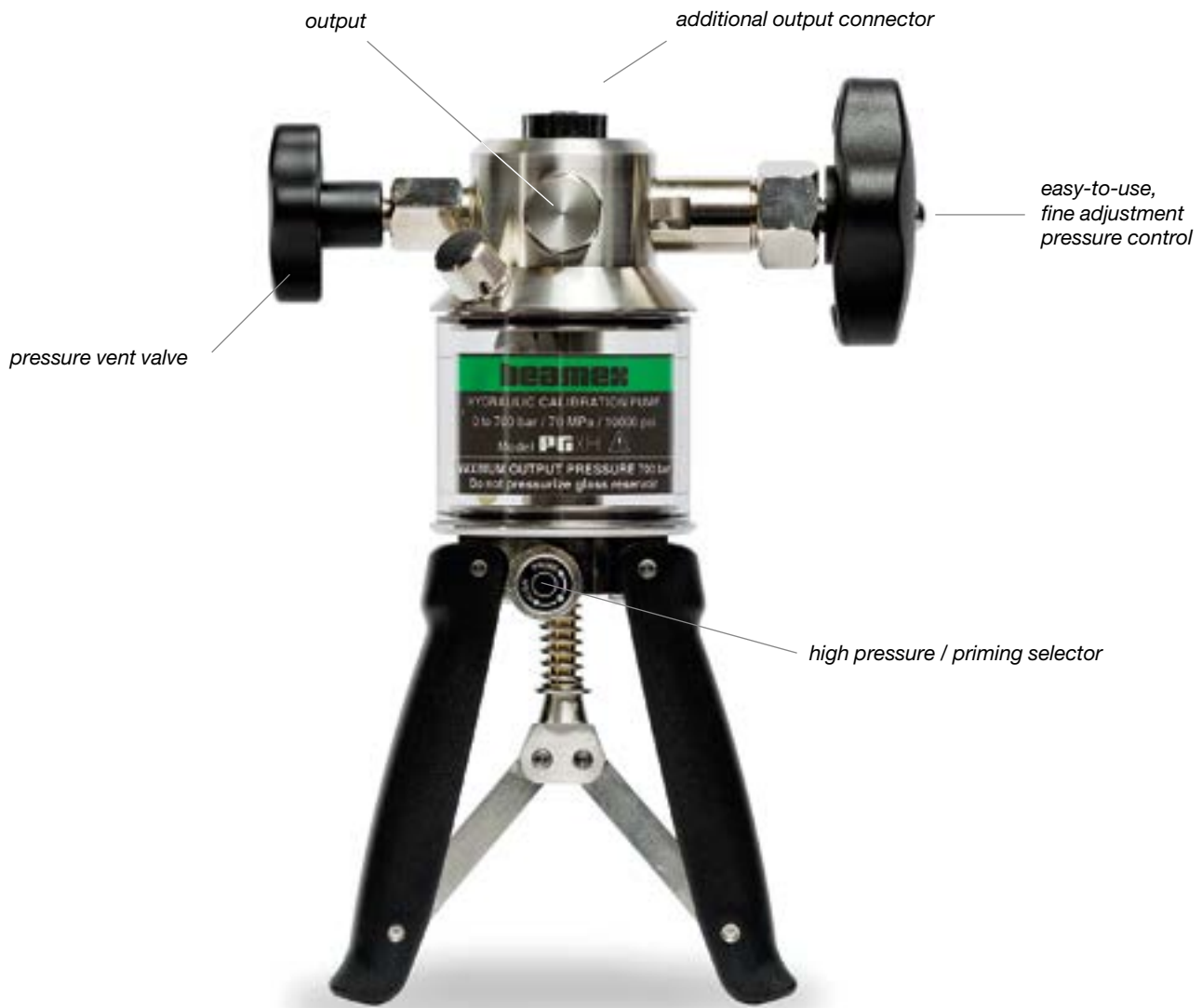
# Calibration pumps

106



# PGXH

PRESSURE GENERATOR EXTRA HIGH 0 ... 700 bar / 0 ... 10 000 psi



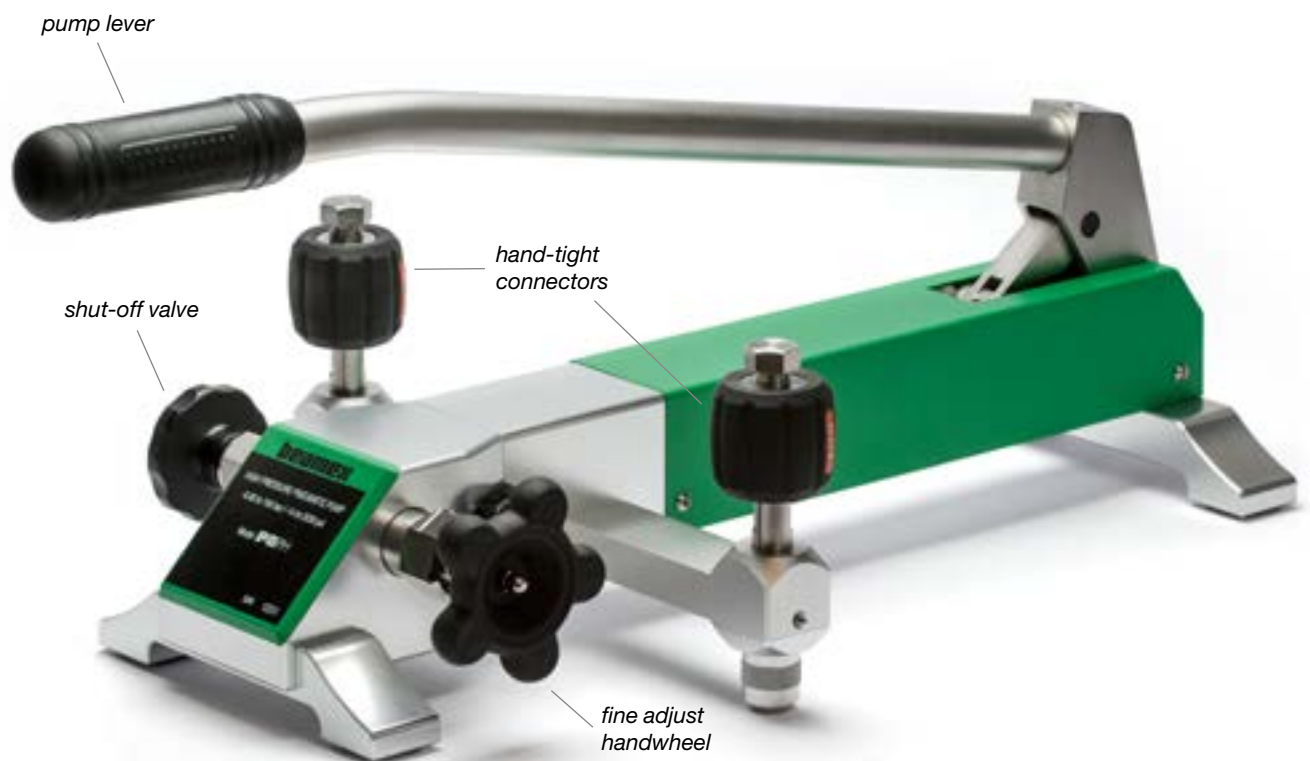
107

**The PGXH** is a hand-operated, hydraulic, high-pressure generator compatible with many different liquids (e.g. mineral oil, distilled water, etc.). The pump is equipped with an adjustable volume control for fine-tuning generated pressure. The PGXH can be equipped with an optional relief valve providing adjustable over pressure protection in different ranges.

# PGPH

PRESSURE GENERATOR PNEUMATIC HIGH –0.95 ... 140 bar / –13.7 ... 2 000 psi

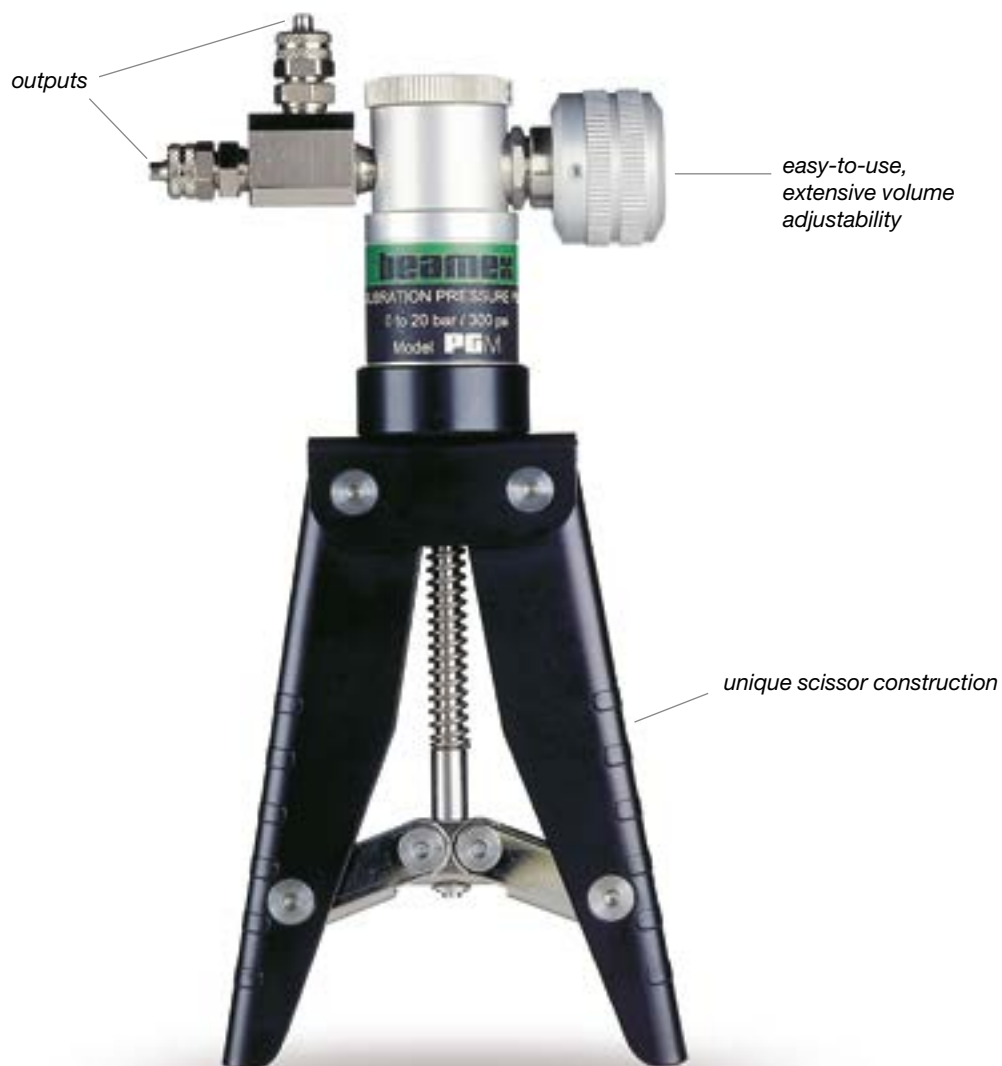
108



**The PGPH** is a hand-operated pneumatic (air as pressure medium) high-pressure table pressure generator. The pump is efficient in generating both vacuum and high pressure up to 140 bar (2,000 psi) quickly and effortlessly. It takes less than one minute to generate the maximum pressure. The PGPH is equipped with an adjustable volume control, providing excellent fine-tuning of generated pressure, and two hand-tight connectors allowing fast and easy connections without the need for any tools.

# PGM

PRESSURE GENERATOR MEDIUM 0 ... 20 bar / 0 ... 300 psi



**The PGM** is a hand-operated pressure calibration pump that uses air as its pressure medium. The extremely accurate volume control provides the excellent fine adjustment of pressure. The pump's unique and sturdy construction makes the PGM the ultimate field calibration pump.

# PGL

PRESSURE GENERATOR LOW –400 ... 400 mbar / –160 ... 160 iwc



110

**The PGL** is a hand-operated pressure table pump for low pressure using air as its pressure medium. The pump is equipped with an isothermal bellows chamber for reducing possible environmental temperature changes during the calibration process. With the screw-operated volume control and fine adjustment, an extremely accurate and stable pressure adjustment is possible.

# PGV

VACUUM GENERATOR 0 ... – 0.95 bar / 0 ... – 13.7 psi



**The PGV** is a highly efficient vacuum pump generating vacuum quickly using a pulling action. The extensive volume control provides fine adjustment of the generated vacuum. The compact, sturdy and lightweight construction is designed for use in tough field environments.

# Specifications

PGXH, PRESSURE GENERATOR EXTRA HIGH	
Output pressure:	0...700 bar / 0...10 000 psi
Pressure media:	Mineral oil, distilled water
Outlet threads:	G 3/8" female (ISO228/1) G 1/4" female (with adaptor)
Dimensions:	236 mm x 159 mm x 70 mm 9.29" x 6.26" x 2.76"
Weight:	1.6 kg / 3.53 lb
Standard delivery:	<ul style="list-style-type: none"> <li>Carrying case</li> <li>High pressure hose with 1/4" NPT and G 1/4" male connectors</li> </ul>
Optional accessories:	Relief valve

PGM, PRESSURE GENERATOR MEDIUM	
Output pressure:	0...20 bar / 0...300 psi
Pressure media:	Air
Outlet connector:	2 x 1/8" NPT female
Dimensions:	223 mm x 96 mm x 38 mm 8.78" x 3.78" x 1.5"
Weight:	400 g / 0.9 lb
Standard delivery:	<ul style="list-style-type: none"> <li>Service seal kit</li> <li>Opening tool</li> <li>Output adapters: <ul style="list-style-type: none"> <li>G 1/8" male 60° int. cone</li> <li>2 x connector for 1/8" ID hose</li> <li>2 x connector for 1/8" ID / 1/4" OD hose with nut - plug</li> </ul> </li> </ul>
Optional accessories:	<ul style="list-style-type: none"> <li>Carrying case</li> <li>Hose 1.5 m</li> <li>T-tubing set with connectors</li> </ul>

PGV, PRESSURE GENERATOR VACUUM	
Output pressure:	0...-0.95 bar / 0...-13.7 psi
Pressure media:	Air
Outlet connector:	G 1/8" male 60° int. cone
Dimensions:	Diameter 35 mm / 1.38" Length, min 230 mm / 9.06" Length, max 322 mm / 12.68"
Weight:	340 g / 0.75 lb
Standard delivery:	<ul style="list-style-type: none"> <li>Service seal kit</li> <li>Opening tool</li> <li>R 1/8" 60° female to 1/4 NPT male for connecting the pressure measurement hose to the instrument to be calibrated.</li> <li>Pressure hose 0.75 m / 2'5 1/2" with R 1/8" 60° male connector at both ends</li> </ul>
Optional accessories:	<ul style="list-style-type: none"> <li>Carrying case</li> <li>T-tubing set with connectors</li> <li>1.5 m / 4'9 hose</li> </ul>

PGPH, PRESSURE GENERATOR PNEUMATIC HIGH	
Pressure range:	-0.95...140 bar / -13.7...2 000 psi
Output threads:	2 x G 1/4" female
Temperature:	0...50 °C / 32...122 °F
Humidity:	< 85% RH
Adjusting fineness:	0.1 mbar (0.001 psi)
Safety pressure:	< 180 bar (2 600 psi)
Pressure media:	Air
Dimensions:	54 cm x 27 cm x 18 cm 21.26" x 10.63" x 7.09"
Weight:	7.1 kg / 15.7 lb
Standard delivery:	<ul style="list-style-type: none"> <li>Output connectors: <ul style="list-style-type: none"> <li>G 1/4" (Male) Plug x 1</li> </ul> </li> <li>A small bag (20 pcs.) of o-rings (sealing rings) type: NBR70 (size 6x2)</li> <li>User guide</li> </ul>
Optional accessories:	<ul style="list-style-type: none"> <li>Carrying case</li> <li>Maintenance kit</li> <li>Lubricant for the axle of fine adjustment</li> <li>High pressure hose 1 m with G 1/4" and G 1/8" male connectors for connecting the pump to the calibrator's internal high pressure module (not needed if an external high pressure module is available)</li> <li>High pressure hose 1 m with G 1/4" and 1/4" NPT connectors for connecting the pump to the instrument</li> </ul>

PGL, PRESSURE GENERATOR LOW	
Pressure range:	-400...400 mbar / -160...160 iwc
Output threads:	1 x G 1/8" female
Output adapters (hand-tightened and removable):	Standard delivery: <ul style="list-style-type: none"> <li>G 1/8" / 60-G1/8" Nipple for 4 mm ID hose</li> </ul>
Temperature:	0...50 °C / 32...122 °F
Humidity:	< 95% RH
Adjusting fineness:	0.001 mbar / 0.01 mmH <sub>2</sub> O
Safety pressure:	< 4 bar / 1 600 iwc
Pressure media:	Air
Dimensions:	24 cm x 11 cm x 14 cm 9.45" x 4.33" x 5.51"
Weight:	1.2 kg / 2.6 lb
Standard delivery:	<ul style="list-style-type: none"> <li>Output Connectors: <ul style="list-style-type: none"> <li>G 1/8" / 60-G1/8" installed in the pump</li> <li>Nipple for 4 mm ID hose</li> </ul> </li> <li>A small bag (10 pcs.) of o-rings in size and type: 10.1 mm x 1.6 mm NBR 70</li> <li>User Guide</li> </ul>
Optional accessories:	<ul style="list-style-type: none"> <li>Carrying case</li> <li>Maintenance kit</li> <li>Extra output Connectors (same as in the standard delivery)</li> <li>Lubricant for the axle of the pressure adjust and fine adjustment handles</li> </ul>