

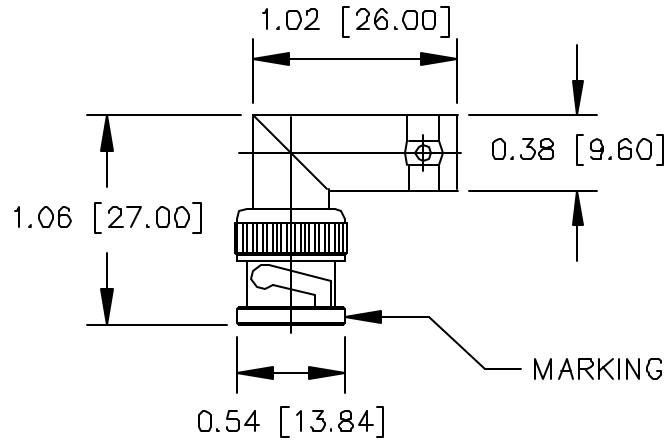
Pomona®

TRANSCAT®

▶ Visit us at Transcat.com!

35 Vantage Point Drive Rochester, NY 14624
Call 1.800.800.5001

Model 3534 Adapter BNC (Female-Male) Right Angle



MATERIALS:

Body: Brass, Tarnish Resistant Plating
Center Contact: Gold Plated Beryllium Copper
Outer Contact: Gold Plated Brass
Dielectric: PTFE
Finish: Body : Tarnish Resistant
Center Contact: Gold Plated
Marking: "Pomona 3534"

RATING:

Operating Voltage: Shield/Earth: 30VAC/60VDC Max.
Inner Conductor/Shield: 500VRMS Max.
Operating Temperature: -65°C to +165°C
Nominal Impedance: 50 Ohms

ORDERING INFORMATION: Model 3534

All dimensions are in inches and metric. All specifications are to the latest revisions. Specifications are subject to change without notice.
Registered trademarks are the property of their respective companies. Made in USA

TRANSCAT®

▶ Visit us at Transcat.com!

35 Vantage Point Drive // Rochester, NY 14624 // Call 1.800.800.5001