



Visit Us on the Web at [www.chatillon.com](http://www.chatillon.com)

# SLC Series Loadcells for DFS-R-ND Series

**TRANSCAT** Visit us at [Transcat.com!](http://Transcat.com!)  
 35 Vantage Point Drive // Rochester, NY 14624 // Call 1.800.800.5001

**Specification Sheet**  
 SS-FM-3015-0506  
 May 2006

The CHATILLON® SLC Series loadcells are full-bridge strain gauge sensors complete with 15-pin plug. These loadcells are used exclusively with the Chatillon DFS-R-ND Series digital indicator. The loadcell values and sensitivity factors are stored in memory within the sensor plug. When connected to a DFS-R-ND indicator, the capacity and calibration points are automatically recognized by the instrument. The instrument then becomes a full-featured load measurement instrument. The loadcells are connected to the DFS-R-ND with a retractable cord that extends fully to nearly 9 ft. (3 m).

## Remote Sensors- Load Measurement

DFS-R-0200 with Dedicated SLC Sensor

	Model	ozf	gf	lbf	kgf	N	Deflection	Accuracy
Low	SLC-250G	8 x 0.002	250 x 0.05	0.5 x 0.0001	0.25 x 0.0001	2.5 x 0.0005	0.013 ±0.004	±0.25%
	SLC-0002	32 x 0.005	1000 x 0.1	2 x 0.0002	1 x 0.0001	10 x 0.001	0.013 ±0.004	±0.25%
	SLC-0010	160 x 0.02	5000 x 0.5	10 x 0.001	5 x 0.0005	50 x 0.005	0.013 ±0.004	±0.25%
	SLC-0025	400 x 0.05	10,000 x 1	25 x 0.002	10 x 0.001	100 x 0.01	0.015 ±0.004	±0.25%
	SLC-0050	800 x 0.1	25,000 x 2	50 x 0.005	25 x 0.002	250 x 0.02	0.006 ±0.003	±0.25%
High	SLC-0100	1600 x 0.2	50,000 x 5	100 x 0.01	50 x 0.005	500 x 0.05	0.008 ±0.003	±0.25%
	SLC-0200	-	-	200 x 0.02	100 x 0.01	1000 x 0.1	0.008 ±0.003	±0.25%
	SLC-0500	-	-	500 x 0.05	250 x 0.02	2500 x 0.2	0.008 ±0.003	±0.25%
	SLC-1000	-	-	1000 x 0.1	500 x 0.05	5000 x 0.5	0.012 ±0.003	±0.25%
	SLC-2000	-	-	2000 x 0.2	1000 x 0.1	10000 x 1	0.018 ±0.003	±0.5%
	SLC-5000	-	-	5000 x 0.5	2500 x 0.2	25000 x 2	0.013 ±0.003	±0.5%
SLC-10000	-	-	10000 x 1	5000 x 0.5	50000 x 5	0.011 ±0.003	±0.5%	

## Specifications

- Input Resistance:** 1000 ohms ±100
- Output Resistance:** 1000 ohms ±100
- Rated Output:** 2.0 mV/V
- Safe Overload:** 150% Full Scale
- Non-Linearity:** ±0.05% Full Scale
- Hysteresis:** ±0.05% Full Scale
- Zero Balance:** ±1.0% Full Scale
- Operating Temp:** 30° to 120°F (-40° to 82°C)

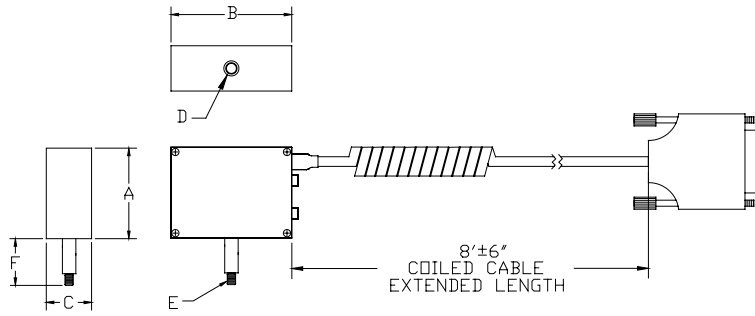


**You Get More with Your CHATILLON Gauge.**

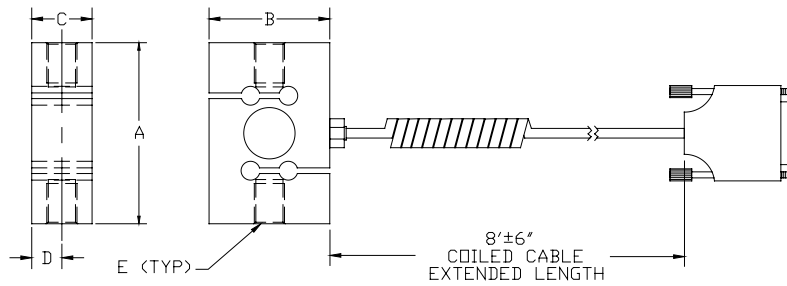


A registered trademark of AMETEK Inc.

# Dimensions - SLC Series

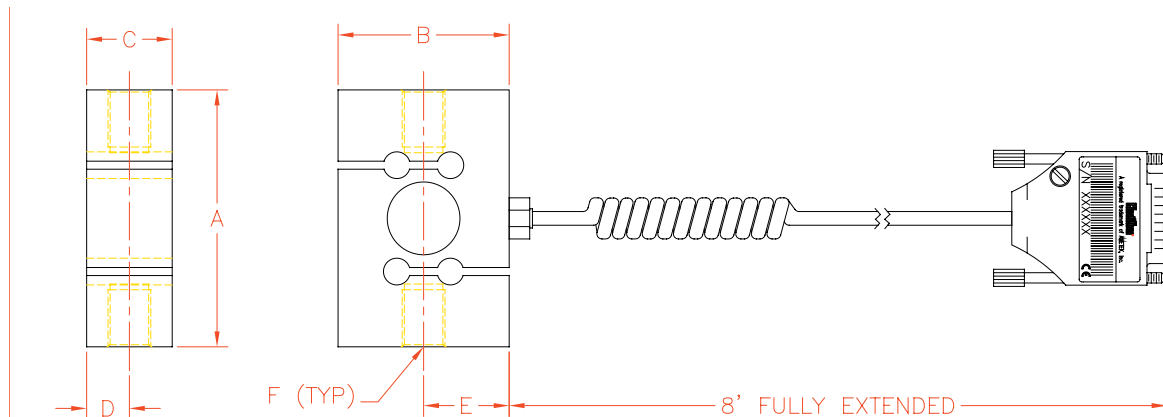


25 LBF	1.50 [38.1]	2.00 [50.8]	.75 [19.0]	#10-32	#10-32	.75
10 LBF	1.50 [38.1]	2.00 [50.8]	.75 [19.0]	#10-32	#10-32	.75
2 LBF	1.50 [38.1]	2.00 [50.8]	.75 [19.0]	#10-32	#10-32	.75
250 G	1.50 [38.1]	2.00 [50.8]	.75 [19.0]	#10-32	#10-32	.75
CAPACITY	A	B	C	D FEMALE THREAD	E MALE THREAD	F



1000 LBF	2.98 [75.7]	2.50 [63.5]	.98 [24.9]	.49 [12.4]	1/2-20
500 LBF	2.98 [75.7]	2.00 [50.8]	.98 [24.9]	.49 [12.4]	1/2-20
200 LBF	2.48 [63.0]	2.00 [50.8]	.61 [15.5]	.31 [7.9]	1/4-28
100 LBF	2.48 [63.0]	2.00 [50.8]	.61 [15.5]	.31 [7.9]	1/4-28
50 LBF	2.48 [63.0]	2.00 [50.8]	.61 [15.5]	.31 [7.9]	1/4-28
CAP.	A	B	C	D	E THREAD

E96-355



50 KN	3.937±.015	3.00	1.43	.718	1.500	3/4-16
25 KN	3.937±.015	2.75	1.19	.594	1.375	3/4-16
10 KN	3.437±.015	2.25	.94	.469	1.125	1/2-20
CAPACITY	A	B	C	D	E	F THREAD

E96-383

**AMETEK**  
US GAUGE DIVISION

**TRANSCAT**

▶ Visit us at [Transcat.com](http://Transcat.com)!

35 Vantage Point Drive // Rochester, NY 14624 // Call 1.800.800.5001