

## APPLICATIONS

- Air conditioning repair
- Aluminum welding
- Automotive repair
- Light brazing applications
- Dental repairs
- Electrical & electronic repairs
- Igniting other materials
- Jewelry repair
- Laboratory use
- Loosening bolts
- Melting & fusing synthetic rope & rubber
- Metal sculpture
- Popping dents
- Refrigeration maintenance
- Shrinking/terminating environmental connectors
- Shrinking tubing
- Silver soldering
- Soldering & desoldering
- Spot heating
- Windshield repair

## MARKETS

- Automotive
- Dental
- Electrical/Electronic
- General industrial
- Jewelry
- Laboratory
- Plumbing
- Repair

## USED BY

- Field service technicians
- Lab technicians
- Mechanics
- Professionals
- Repair people
- & many others

## SPECIFICATIONS

Size:	6.1" (H) x 3" (W) x 1.3" (D) 16cm (H) x 7.7cm (W) x 3.4cm (D)
Base Dia.:	2.8"/7.1cm
Weight:	6.1 oz./175g
Approx. Flame Temperature:	2,500°F/1300°C (Blue Flame)
Ave. Run Time:	2 hours (full charge)
Fuel Tank:	Built-in "Refillable" plastic fuel tank

## ORDERING INFORMATION

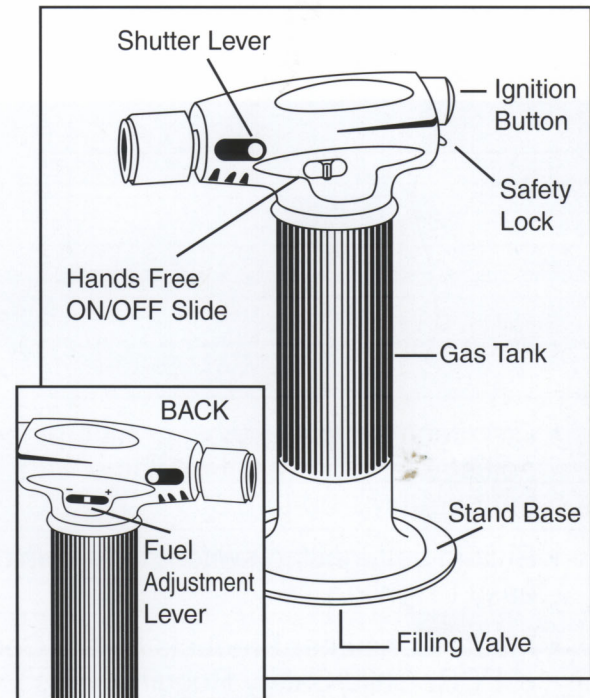
MODEL	DESCRIPTION
MT-51	Microtorch, table top with plastic tank

## MASTER ULTRATANE™ BUTANE

ITEM NO.	DESCRIPTION
51773	Master Ultratane butane, 5 1/8 oz., (145 gram) canister
10448	Master Ultratane butane, 15/16 oz., (26 gram) canister



For the best performance use Master Ultratane butane. Triple refined "non-clogging" formula prevents clogging of internal filters. Special vapor pressure for consistent self ignition. Contains no CFC's (chlorofluorocarbons). Comes with a convenient single piece universal filling tip. Approved for use with all Master butane powered heat tools. MSDS sheet available upon request.



Users should independently evaluate the suitability of the product for their application.

**WARNING:** The Department of Transportation Hazardous Material Regulations forbid carriage of butane or other flammable gas products on passenger aircraft. Do not pack this item or any other flammable gas item, in any checked or carry-on baggage.

**WARNING:** This product, when used for soldering and similar applications, produces chemicals known to the state of California to cause cancer and birth defects or other reproductive harm.