

Technical Information

RIA46

Field meter



Digital field meter with control unit for monitoring and visualizing analog measured values

Application

- Process recording and supervision
- Process control
- Signal adjustment and signal conversion
- Optional Ex approval
- Overfill protection according to WHG

Your benefits

- 5-digit, 7-segment backlit LC display
- User-configurable dot matrix display range for bar graph, units and tag name
- 1 or 2 universal inputs
- 2 relays (optional)
- Min./max. value saved
- 1 or 2 calculated values
- One linearization table with 32 points for each calculated value
- 1 or 2 analog outputs
- Digital status output (open collector)
- Operation using 3 keys
- Configuration via interface and FieldCare software
- SIL2 approval (optional)

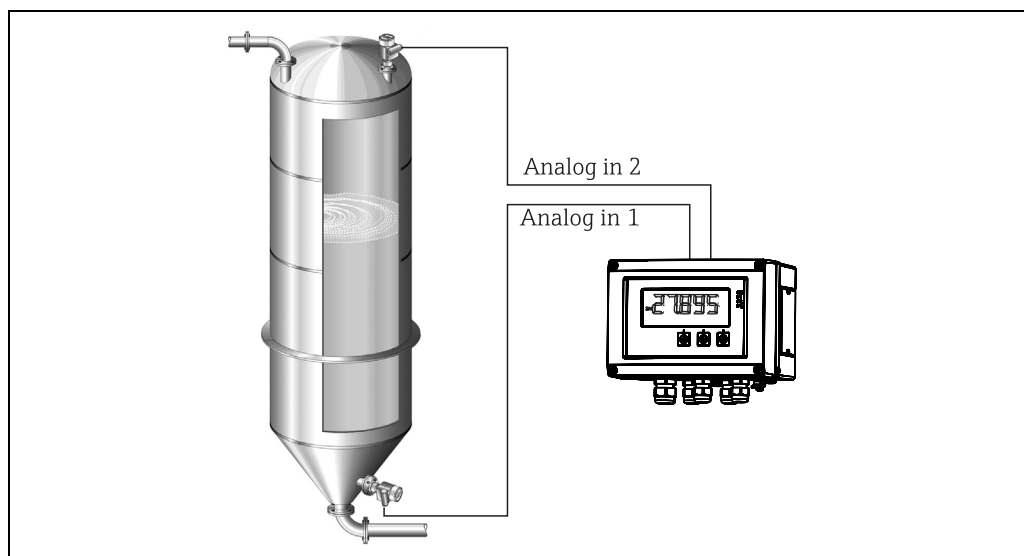
HIGHLY CONFIGURABLE - Let Transcat Help build your Endress+Hauser Instrument
Call: **1.800.828.1470** or email **sales@transcat.com**

TRANSCAT[®]
Trust in every measure

Visit us at Transcat.com 

Function and system design

Application



Example for "differential pressure" application

The RIA46 field meter powers the transmitter and processes analog signals from transmitters, particularly from the area of process instrumentation. These signals are monitored, evaluated, calculated, saved, separated, linked, converted and displayed. The signals, intermediate values and the results of calculations and analysis are transmitted by digital or analog means.

Measuring system

The RIA46 is a process transmitter, which is controlled by a microcontroller, and exhibits a display, analog inputs for process and status signals, analog and digital outputs, as well as an interface for configuration.

Connected sensors (e.g. temperature, pressure) can be powered by the integrated transmitter power supply system. The signals to be measured are converted from analog to digital signals, processed digitally in the device, and then converted from digital to analog signals and made available to the various outputs. All measured values, and values calculated in any way, are available as a signal source for the display, all outputs, relays and the interface. It is possible to make multiple use of the signals and results (e.g. a signal source as an analog output signal and limit value for a relay).

Mathematics functions

The following mathematics functions are available in RIA46:

- Sum
- Difference
- Mean
- Linearization
- Multiplication

Linearization function

Up to 32 user-definable points are available in the device per calculated value to linearize the input, e.g. for tank linearization. In the case of the two-channel device (option), mathematics channel M2 can be used to linearize mathematics channel M1.

Linearization is also available in the FieldCare configuration software.

Input

Inputs	One or two universal inputs
Measured variable	Current, voltage, resistance, resistance thermometer, thermocouples
Measuring ranges	<p>Current:</p> <ul style="list-style-type: none"> ▪ 0/4 to 20 mA +10% overrange ▪ Short-circuit current: max. 150 mA ▪ Load: 10 Ω <p>Voltage:</p> <ul style="list-style-type: none"> ▪ 0 to 10 V, 2 to 10 V, 0 to 5 V, 0 to 1 V, 1 to 5 V, $\pm 1 V \pm 10 V$, $\pm 30 V$, $\pm 100 mV$ ▪ Max. permitted input voltage: <ul style="list-style-type: none"> Voltage $\geq 1 V$: $\pm 35 V$ Voltage $< 1 V$: $\pm 12 V$ ▪ Input impedance: $> 1 M\Omega$ <p>Resistance:</p> <ul style="list-style-type: none"> ▪ 30 to 3000 Ω <p>Resistance thermometer:</p> <ul style="list-style-type: none"> ▪ Pt 100 as per IEC60751, GOST, JIS1604 ▪ Pt 500 and Pt 1000 as per IEC60751 ▪ Cu 100, Cu 50, Pt 50, Pt 46, Cu 53 as per GOST ▪ Ni 100, Ni 1000 as per DIN 43760 <p>Thermocouple types:</p> <ul style="list-style-type: none"> ▪ Type J, K, T, N, B, S, R as per IEC60584 ▪ Type U as per DIN 43710 ▪ Type L as per DIN 43710, GOST ▪ Type C, D as per ASTM E998
Update time	200 ms
Linearization	Linearization of input signals and calculated values possible over a maximum of 32 points.
Galvanic isolation	Towards all other circuits

Output

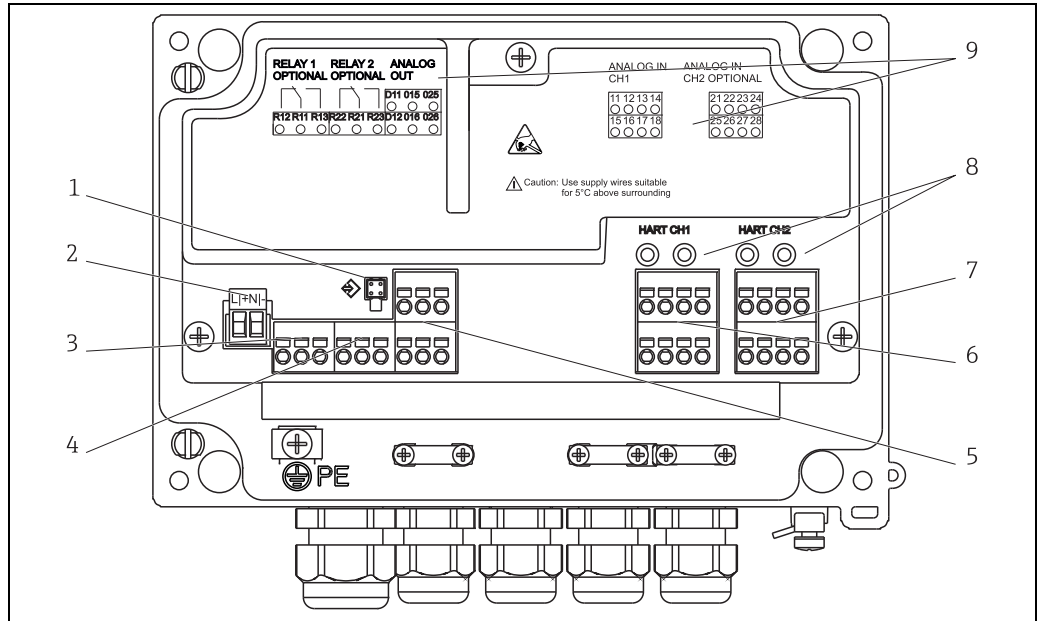
Output signal	One or two analog outputs, galvanically isolated
Current/voltage output	<p>Current output:</p> <ul style="list-style-type: none"> ▪ 0/4 to 20 mA ▪ Overrange up to 22 mA <p>Voltage:</p> <ul style="list-style-type: none"> ▪ 0 to 10 V, 2 to 10 V, 0 to 5 V, 1...5 V ▪ Overrange: up to 11 V, short-circuit proof, $I_{\max} < 25$ mA
Loop power supply	<ul style="list-style-type: none"> ▪ Open-circuit voltage: 24 V DC (+15% /-5%) Ex version: > 14 V at 22 mA Non-hazardous operation: > 16 V at 22 mA ▪ Maximum 30 mA short-circuit-proof and overload-proof ▪ Galvanically isolated from system and outputs <p>HART®: HART® signals are not affected</p>
Status output	<p>Open Collector for monitoring of the device state and alarm notification. The OC output is closed in normal state. In error state, the OC output is opened.</p> <ul style="list-style-type: none"> ▪ $I_{\max} = 200$ mA ▪ $U_{\max} = 28$ V ▪ $U_{\text{on}/\max} = 2$ V at 200 mA

Limit function

Relay contact	Changeover
Maximum contact burden DC	30 V / 3 A (permanent state, without destruction of the input)
Maximum contact burden AC	250 V / 3 A (permanent state, without destruction of the input)
Minimum contact load	500 mW (12 V/10 mA)
Galvanic isolation towards all other circuits	Test voltage 1500V AC
Switching cycles	> 1 million

Terminal assignment

Electrical connection



Terminal assignment of the field meter

- 1: Connection socket for interface cable
- 2: Connection supply voltage
- 3: Connection relay 1 (optional)
- 4: Connection relay 2 (optional)
- 5: Connection analog and status output
- 6: Connection analog input 1
- 7: Connection analog input 2 (optional)
- 8: HART® connection sockets
- 9: Laser labeling of terminal assignment

Supply voltage Wide-area power supply unit 24 to 230 V AC/DC (-20 % / +10 %) 50/60 Hz

Power consumption Max. 21.5 VA / 6.9 W

Connection data interface

Commubox FXA291 PC USB interface

- Connection: 4-pin connector
- Transmission protocol: FieldCare
- Transmission rate: 38,400 Baud

Interface cable TXU10-AC PC USB interface

- Connection: 4-pin connection
- Transmission protocol: FieldCare
- Delivery scope: Interface cable incl. FieldCare Device Setup DVD with all Comm DTMs and Device DTMs

Performance characteristics

Reference operating conditions

Power supply: 230 V AC, 50/60 Hz
Ambient temperature: 25 °C ± 5 °C (77 °F ± 9 °F)
Humidity: 20 % to 60 % rel. humidity

Maximum measured error Universal input:

Accuracy	Input:	Range:	Maximum measured error of measuring range (oMR):
	Current	0 to 20 mA, 0 to 5 mA, 4 to 20 mA; overrange: to 22 mA	± 0.05%
	Voltage ≥ 1 V	0 to 10 V, 2 to 10 V, 0 to 5 V, 1 to 5 V, 0 to 1 V, ± 1 V, ± 10 V, ± 30 V	± 0.1%
	Voltage < 1 V	± 100 mV	± 0.05%
	Resistance measurement	30 to 3000 Ω	4-wire: ± (0.10% oMR + 0.8 Ω) 3-wire: ± (0.10% oMR + 1.6 Ω) 2-wire: ± (0.10% oMR + 3 Ω)
	Resistance thermometer	Pt100, -200 to 850 °C (-328 to 1562 °F) (IEC60751, α=0.00385) Pt100, -200 to 850 °C (-328 to 1562 °F) (JIS1604, w=1.391) Pt100, -200 to 649 °C (-328 to 1200 °F) (GOST, α=0.003916) Pt500, -200 to 850 °C (-328 to 1562 °F) (IEC60751, α=0.00385) Pt1000, -200 to 600 °C (-328 to 1112 °F) (IEC60751, α=0.00385)	4-wire: ± (0.10% oMR + 0.3 K (0.54 °F)) 3-wire: ± (0.10% oMR + 0.8 K (1.44 °F)) 2-wire: ± (0.10% oMR + 1.5 K (2.7 °F))
		Cu100, -200 to 200 °C (-328 to 392 °F) (GOST, w=1.428) Cu50, -200 to 200 °C (-328 to 392 °F) (GOST, w=1.428) Pt50, -200 to 1100 °C (-328 to 2012 °F) (GOST, w=1.391) Pt46, -200 to 850 °C (-328 to 1562 °F) (GOST, w=1.391) Ni100, -60 to 250 °C (-76 to 482 °F) (DIN43760, α=0.00617) Ni1000, -60 to 250 °C (-76 to 482 °F) (DIN43760, α=0.00617)	4-wire: ± (0.20% oMR + 0.3 K (0.54 °F)) 3-wire: ± (0.20% oMR + 0.8 K (1.44 °F)) 2-wire: ± (0.20% oMR + 1.5 K (2.7 °F))
	Thermocouples	Cu53, -50 to 200 °C (-58 to 392 °F) (GOST, w=1.426)	4-wire: ± (0.30% oMR + 0.3 K (0.54 °F)) 3-wire: ± (0.30% oMR + 0.8 K (1.44 °F)) 2-wire: ± (0.30% oMR + 1.5 K (2.7 °F))
		Type J (Fe-CuNi), -210 to 1200 °C (-346 to 2192 °F) (IEC60584)	± (0.1% oMR + 0.5 K (0.9 °F)) from -100 °C (-148 °F)
		Type K (NiCr-Ni), -200 to 1372 °C (-328 to 2502 °F) (IEC60584)	± (0.1% oMR + 0.5 K (0.9 °F)) from -130 °C (-202 °F)
		Type T (Cu-CuNi), -270 to 400 °C (-454 to 752 °F) (IEC60584)	± (0.1% oMR + 0.5 K (0.9 °F)) from -200 °C (-328 °F)
		Type N (NiCrSi-NiSi), -270 to 1300 °C (-454 to 2372 °F) (IEC60584)	± (0.1% oMR + 0.5 K (0.9 °F)) from -100 °C (-148 °F)
		Type L (Fe-CuNi), -200 to 900 °C (-328 to 1652 °F) (DIN43710, GOST)	± (0.1% oMR + 0.5 K (0.9 °F)) from -100 °C (-148 °F)
		Type D (W3Re/W25Re), 0 to 2495 °C (32 to 4523 °F) (ASTME998)	± (0.15% oMR + 1.5 K (2.7 °F)) from 500 °C (from 932 °F)
		Type C (W5Re/W26Re), 0 to 2320 °C (32 to 4208 °F) (ASTME998)	± (0.15% oMR + 1.5 K (2.7 °F)) from 500 °C (932 °F)
		Type B (Pt30Rh-Pt6Rh), 0 to 1820 °C (32 to 3308 °F) (IEC60584)	± (0.15% oMR + 1.5 K (2.7 °F)) from 600 °C (1112 °F)
		Type S (Pt10Rh-Pt), -50 to 1768 °C (-58 to 3214 °F) (IEC60584)	± (0.15% oMR + 3.5 K (6.3 °F)) for -50 to 100 °C (-58 to 212 °F) ± (0.15% oMR + 1.5 K (2.7 °F)) for 100 to 1768 °C (212 to 3214 °F)
	Type R (Pt13Rh-Pt), -50 to 1768 °C (-58 to 3214 °F) (IEC60584)	± (0.15% oMR + 3.5 K (6.3 °F)) for -50 to 100 °C (-58 to 212 °F) ± (0.15% oMR + 1.5 K (2.7 °F)) for 100 to 1768 °C (212 to 3214 °F)	
	Type U (Cu-CuNi), -200 to 600 °C (-328 to 1112 °F) (DIN 43710)	± (0.15% oMR + 0.5 K (0.9 °F)) from -100 °C (-148 °F)	

AD converter resolution	16 bit
Temperature drift	Temperature drift: $\leq 0.01\%/K$ ($0.1\%/18\text{ }^\circ\text{F}$) oMR $\leq 0.02\%/K$ ($0.2\%/18\text{ }^\circ\text{F}$) oMR for Cu100, Cu50, Cu53, Pt50 and Pt46

Analog output:

Current	0/4 to 20 mA, overrange to 22 mA	$\pm 0.05\%$ of measuring range
	Max. load	500 Ω
	Max. inductance	10 mH
	Max. capacitance	10 μF
	Max. ripple	10 mVpp at 500 Ω , frequency < 50 kHz
Voltage	0 to 10 V, 2 to 10 V 0 to 5 V Overrange: up to 11 V, short-circuit proof, $I_{\text{max}} < 25\text{ mA}$	$\pm 0.05\%$ of measuring range $\pm 0.1\%$ of measuring range
	Max. ripple	10 mVpp at 1000 Ω , frequency < 50 kHz
Resolution	13 bit	
Temperature drift	0.01%/K (0.1%/18 $^\circ\text{F}$) of of measuring range	
Galvanic isolation	Testing voltage of 500 V towards all other circuits	

Installation

Installation instructions**Mounting location**

Field, direct wall mounting and wall or pipe mounting¹⁾ using the optional mounting plate.

Orientation

The orientation is determined by the readability of the display.

Max. viewing angle range $\pm 45^\circ$ from the central display axis in every direction.

Environment

Ambient temperature range

-40 to +50 $^\circ\text{C}$ (-40 to 122 $^\circ\text{F}$)



Readability of the display cannot be guaranteed at temperatures below -30 $^\circ\text{C}$ (-22 $^\circ\text{F}$).

Storage temperature

-40 to +85 $^\circ\text{C}$ (-40 to 185 $^\circ\text{F}$)

Operating height

< 2000 m above MSL (6561 ft)

Shock and vibration

3g at 2...150 Hz as per IEC 60068-2-6

Climate class

As per IEC 60654-1, Class B2

Degree of protection

Front IP 67 / NEMA 4x (not evaluated by UL)

1) According to UL approval panel or surface mounting only.

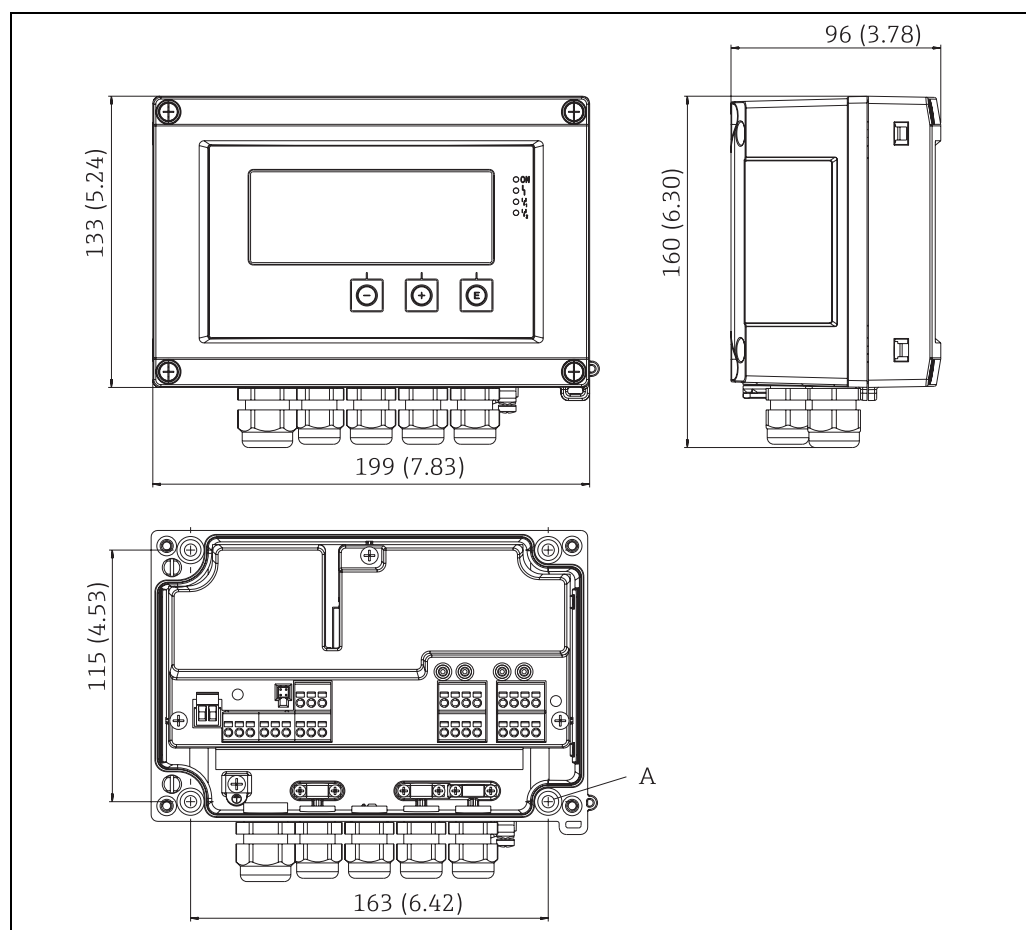
Electrical safety housing	Protection class I, overvoltage category II, pollution degree II for aluminium housing Protection class II, overvoltage category II, pollution degree II for plastic housing
----------------------------------	---

Condensation	permitted
---------------------	-----------

Electromagnetic compatibility (EMC)	<ul style="list-style-type: none"> ■ Interference immunity: To IEC 61326 industrial environments / NAMUR NE 21 ■ Interference emissions: To IEC 61326 Class A
--	---

Mechanical construction

Design, dimensions



Dimensions of the field meter in mm (in)

A: Drill-hole for direct wall mounting or on optional mounting plate with 4 screws $\varnothing 5$ mm (0.2")

Weight	<ul style="list-style-type: none"> ■ Plastic housing: approx. 600 g (1.32 lbs) ■ Aluminum housing: approx. 1700 g (3.75 lbs)
---------------	--

Material

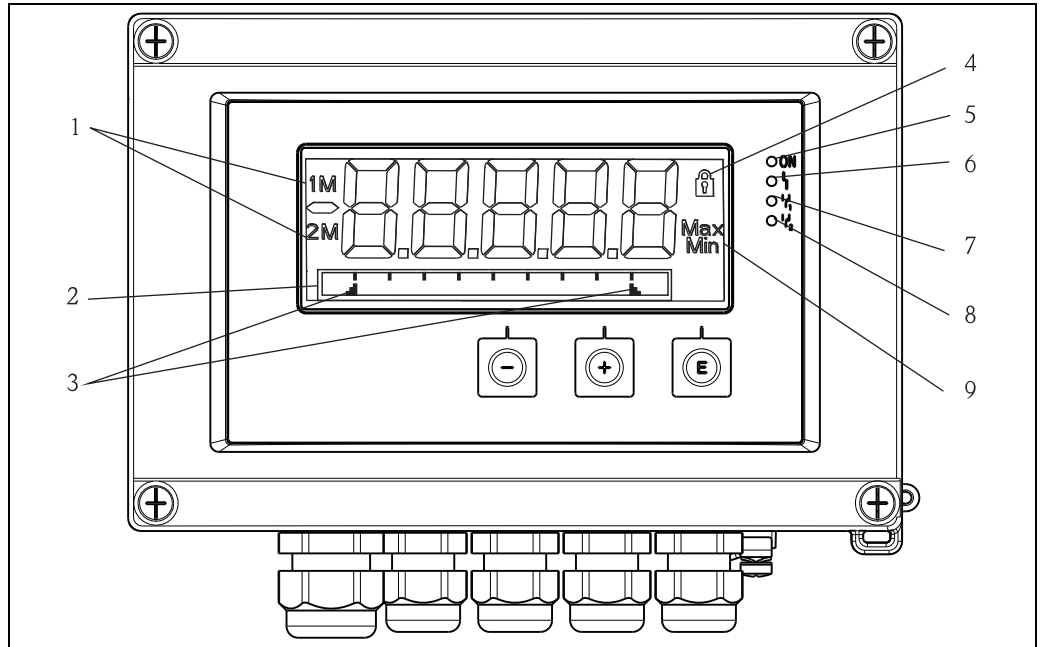
Housing	Nameplate
Fiber-glass reinforced plastic PBT-GF30	Laser marking
Aluminum AlSi12 (as an option)	Laser-writable foil, polyester

Terminals

Plug-in spring terminals, 2.5 mm² (14 AWG); auxiliary voltage with screw terminals (AWG 30-12; torque 0.5-0.6 Nm (4.4-5.3 lb in)).

Human interface

Display elements



Display of the field meter

- 1: Channel display: 1: analog input 1; 2: analog input 2; 1M: calculated value 1; 2M: calculated value 2
- 2: Dot matrix display for TAG, bar graph and unit
- 3: Limit value indicators in the bar graph
- 4: "Operation locked" indicator
- 5: Green LED; measuring device operational
- 6: Red LED; error/alarm
- 7: Yellow LED; status of relay 1
- 8: Yellow LED; status of relay 2
- 9: Minimum/maximum value indicator

- Display
 - 5-digit, 7-segment backlit LC display
 - Dot matrix for text/bar graph
- Display range
 - 99999 to +99999 for measured values
- Signaling
 - Setup security locking (lock)
 - Measuring range overshoot/undershoot
 - 2 x status relay (only if relay option was selected)

Operating elements

3 keys: -, +, E

Remote operation

Configuration

The device can be configured with the PC software or on site using the operating keys. FieldCare Device Setup is delivered together with the Commubox FXA291 or TXU10-AC (see 'Accessories') or can be downloaded free of charge from www.endress.com.

Interface

4-pin socket for the connection with a PC via Commubox FXA291 or TXU10-AC interface cable (see 'Accessories')

Certificates and approvals

CE mark	The device meets the legal requirements of the EU directives. Endress+Hauser confirms that the device has been tested successfully by affixing the CE mark.
Ex approval	Information about currently available Ex versions (ATEX, FM, CSA, etc.) can be supplied by your E+H Sales Center on request. All explosion protection data are given in a separate documentation which is available upon request.
Other standards and guidelines	<ul style="list-style-type: none">■ IEC 60529: Degrees of protection by housing (IP code)■ IEC 61010-1: 2001 Cor 2003 Safety requirements for electrical equipment for measurement, control and laboratory use■ EN 60079-11 Explosive atmospheres - Part 11: equipment protection by intrinsic safety "I"
Functional safety	SIL2 (optional) <ul style="list-style-type: none">■ IEC 61508:2010 (Edition 2.0)■ IEC 61511:2003 Cor.2004 Chapter 11.4

Ordering information

Detailed ordering information is available from the following sources:

- In the Product Configurator on the Endress+Hauser website: www.endress.com → Select country → Instruments → Select device → Product page function: Configure this product
- From your Endress+Hauser Sales Center: www.endress.com/worldwide



Product Configurator - the tool for individual product configuration

- Up-to-the-minute configuration data
- Depending on the device: Direct input of measuring point-specific information such as measuring range or operating language
- Automatic verification of exclusion criteria
- Automatic creation of the order code and its breakdown in PDF or Excel output format
- Ability to order directly in the Endress+Hauser Online Shop

Accessories

Device-specific accessories

Designation	Description
Mounting set wall/pipe (for pipes Ø1-5")	
Weather protection cover	<p style="text-align: right; font-size: small;">A0021548</p>

Communication-specific accessories

Designation
Interface cable
Commubox TXU10 incl. FieldCare Device Setup and DTM Library
Commubox FXA291 incl. FieldCare Device Setup and DTM Library

Documentation

- Overview brochure: System components: FA00016K/09
- Operating Instructions for Field meter RIA46: BA00274R/09
- Supplementary Ex documentation:
ATEX II(1)GD [EEx ia] IIC: XA079R/09/a3
- SIL Safety manual: SD00023R/09

www.addresses.endress.com
