

**Starrett®**



2900

3600

2700

ELECTRONIC INDICATORS





2900-4M

2900-1

2900-3-1

**2900 INDICATORS**

- IP67 protection against coolant, water, dust and other contaminants



F2720AD

F2730IQ

F2720ADM

**2700 INDICATORS**

- Numeric and analog display



3600-5

3600M-5

**3600 INDICATORS**

- Simple, powerful, economical

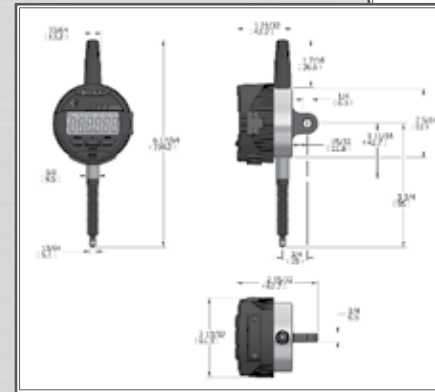
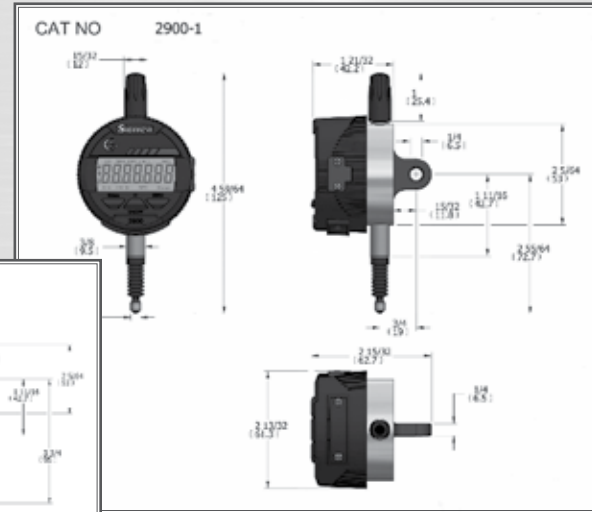


The 2900 Series are available in a choice of configurations to meet a range of requirements. Innovative True Absolute Sensor Technology minimizes the chance of data loss for exceptional reliability. Built with IP67 protection and renowned Starrett quality, they maintain their reliability in hostile shop environments.

### 2900 ELECTRONIC INDICATORS

Catalog Number	Inch/Metric - .375" Stem - #4-48 UNF Thread						Inch/Metric - 8mm Stem - M2.5 x 0.45 Thread					Metric Only - 8mm Stem - M2.5 x 0.45 Thread				
	2900-1	2900-2	2900-3-1	2900-4	2900-5-1	2900-6	2900-1ME	2900-3ME-25	2900-4ME	2900-5ME-25	2900-6ME	2900-1M	2900-3M-25	2900-4M	2900-5M-25	2900-6M
EDP	09980	09981	09963	09983	09967	09985	09971	09975	09976	09978	09979	09986	09964	09988	09968	09990
<b>Range</b>																
.5" (12mm)	x	x		x		x			x		x					
1" (25mm)			x		x				x							
12mm												x		x		x
25mm													x		x	
<b>Resolution</b>																
.00005" (0.001mm)	x						x									
.0001" (0.001mm)		x														
.0005" (0.01mm)			x		x				x		x					
.0005"/.0001"/.00005" (0.01mm/0.001mm)				x		x			x		x					
0.001mm												x				
0.01mm													x		x	
0.01mm/0.001mm														x		x
<b>Accuracy</b>																
±.00012" (±0.003mm)	x	x		x		x	x		x		x					
±0.003mm												x		x		x
±0.001" (±0.03mm)			x		x				x							
±0.03mm													x		x	
<b>Additional Features</b>																
Origin Set, Zero Set	x	x	x	x	x	x	x	x	x	x	x	x	x	x	x	x
Counting Direction Switching (+/-)	x	x	x	x	x	x	x	x	x	x	x	x	x	x	x	x
Power ON/OFF	x	x	x	x	x	x	x	x	x	x	x	x	x	x	x	x
Inch/mm Conversion	x	x	x	x	x	x	x	x	x	x	x					
SPC Output	x	x	x	x	x	x	x	x	x	x	x	x	x	x	x	x
Limit Set				x	x	x			x	x	x			x	x	x
Value Preset				x	x	x			x	x	x			x	x	x
Reading Hold				x		x			x	x	x			x	x	x
Selectable Resolutions				x		x			x		x			x		x
Feature Lock				x		x			x		x			x		x
Max/Min/Runout Value Holding				x	x	x			x	x	x			x	x	x
TIR Runout Value Holding					x	x					x				x	x
IP 67 Protection	x	x	x	x	x	x	x	x	x	x	x	x	x	x	x	x
True Absolute Sensor Technology	x	x		x		x	x		x		x	x		x		x
Fixed Ratios*	S.O.	S.O.	S.O.	S.O.	S.O.	S.O.	S.O.	S.O.	S.O.	S.O.	S.O.	S.O.	S.O.	S.O.	S.O.	S.O.
<b>Back Style</b>																
Lug On Center	x	x	x	x	x	x	x	x	x	x	x	x	x	x	x	x
<b>Battery Type</b>																
CR2032 (2)	x	x	x	x	x	x	x	x	x	x	x	x	x	x	x	x

\*S.O. = Special Order



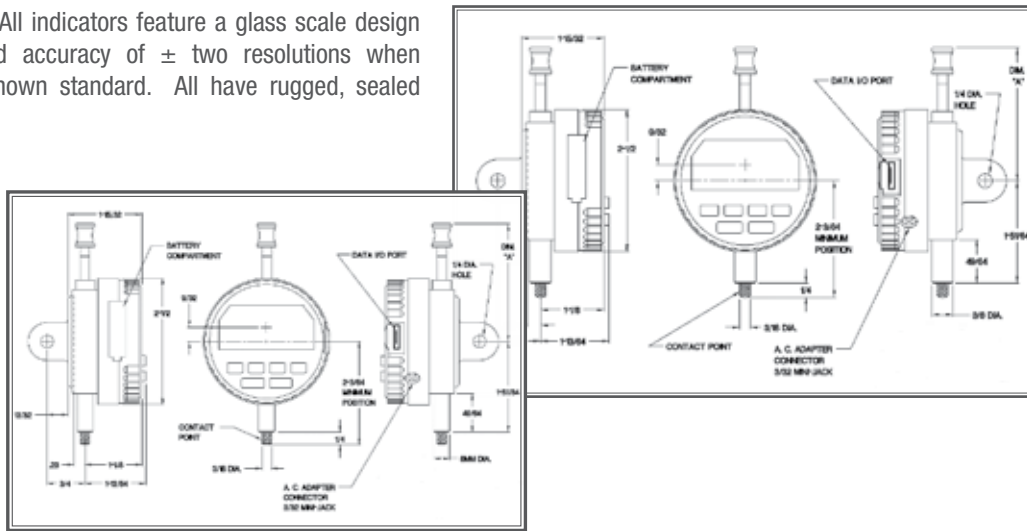
2900-1



#### FEATURES

- Intuitive design and layout – easy to learn and use
- Positive, tactile-feel button activation
- Long battery life
- CE compliant
- Data output on all models
- Choice of Basic, Standard and Advanced feature levels
- One micron resolution available
- Selectable resolution models available
- Fixed ratio measurement systems available
- Metric-only versions available
- Compatible with Starrett 25 indicator backs
- IP67 compliant

The Starrett 2700 Series is one of the most versatile of the electronic indicators. All indicators feature a glass scale design with an unsurpassed accuracy of  $\pm$  two resolutions when measuring from a known standard. All have rugged, sealed enclosures as well.



### 2700 ELECTRONIC INDICATORS

Catalog Number	Inch/Metric - .375" Stem - #4-48 UNF Thread										Inch/Metric - 8mm Stem - M2.5 x 0.45 Thread									
	F2730IQ	F2730-1IQ	F2740IQ	F2750IQ	F2720AD	F2720-1AD	F2730AD	F2730-1AD	F2740AD	F2750AD	F2730IQM	F2730-1IQM	F2740IQM	F2750IQM	F2720ADM	F2720-1ADM	F2730ADM	F2730-1ADM	F2740ADM	F2750ADM
EDP	49509	49516	49510	49511	49500	00043	49501	00045	49502	49503	49513	09992	49514	49515	49504	09993	49505	09994	49506	49507
Range																				
0.6" (15mm)					X	X								X	X					
1" (25mm)	X	X					X	X			X	X					X	X		
2" (50mm)			X						X				X						X	
4" (100mm)				X						X			X							X
Resolution																				
.001"/.0005"/.0001"/.00005" (0.02mm/0.01mm/0.002mm/0.001mm)	X				X		X				X			X		X				
.001"/.0005"/.0001" (0.02mm/0.01mm/0.002mm)		X	X	X		X		X	X	X	X	X	X		X		X	X	X	X
Accuracy																				
$\pm$ .0001" ( $\pm$ 0.002mm)	X				X		X				X			X		X				
$\pm$ .0002" ( $\pm$ 0.004mm)		X	X	X		X		X	X	X	X	X	X		X		X	X	X	X
Additional Features																				
Origin Set, Zero Set	X	X	X	X	X	X	X	X	X	X	X	X	X	X	X	X	X	X	X	X
Counting Direction Switching (+/-)	X	X	X	X	X	X	X	X	X	X	X	X	X	X	X	X	X	X	X	X
Power ON/OFF	X	X	X	X	X	X	X	X	X	X	X	X	X	X	X	X	X	X	X	X
Inch/mm Conversion	X	X	X	X	X	X	X	X	X	X	X	X	X	X	X	X	X	X	X	X
SPC Output	X	X	X	X	X	X	X	X	X	X	X	X	X	X	X	X	X	X	X	X
Limit Set	X	X	X	X	X	X	X	X	X	X	X	X	X	X	X	X	X	X	X	X
Value Preset	X	X	X	X	X	X	X	X	X	X	X	X	X	X	X	X	X	X	X	X
Reading Hold	X	X	X	X	X	X	X	X	X	X	X	X	X	X	X	X	X	X	X	X
Selectable Resolutions	X	X	X	X	X	X	X	X	X	X	X	X	X	X	X	X	X	X	X	X
Feature Lock	X	X	X	X	X	X	X	X	X	X	X	X	X	X	X	X	X	X	X	X
Max/Min/Runout Value Holding	X	X	X	X	X	X	X	X	X	X	X	X	X	X	X	X	X	X	X	X
TIR Runout Value Holding	X	X	X	X	X	X	X	X	X	X	X	X	X	X	X	X	X	X	X	X
Programmable Ratios	X	X	X	X							X	X	X							
Back Style																				
Lug On Center	X	X	X	X	X	X	X	X	X	X	X	X	X	X	X	X	X	X	X	X
Battery Type																				
CR2450 (2)	X	X	X	X	X	X	X	X	X	X	X	X	X	X	X	X	X	X	X	X



- #### FEATURES
- 8 resolutions and 4 measuring ranges available
  - Plus or minus travel direction
  - Zero the tool at any position of the spindle
  - Rotating bezel
  - Auto Off after 10 minutes of non-use
  - Three power sources - operate by battery, A/C adaptor or through data port
  - Output jack allows data transmission

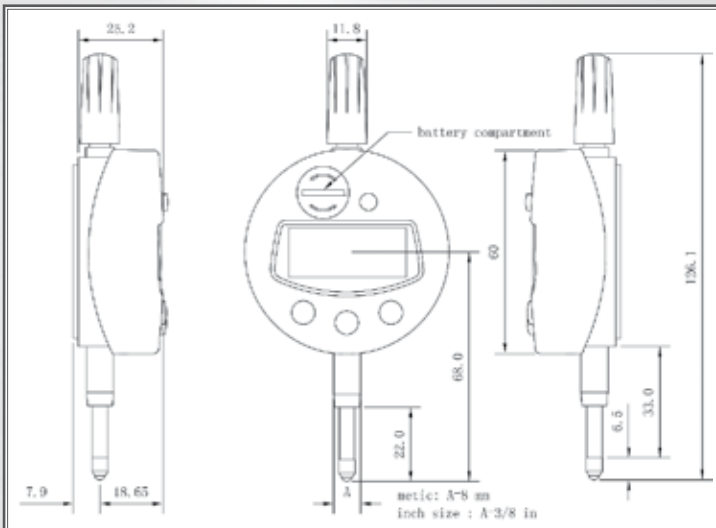
The Starrett 3600 Series has simple, powerful, easy-to-use functions. Versions are available for inch/metric and metric only.

### 3600 ELECTRONIC INDICATORS

	Inch/Metric - .375" Stem - #4-48 UNF Thread	Metric Only - 8mm Stem - M2.5 x 0.45 Thread
<b>Catalog Number</b>	3600-5	3600M-5
<b>EDP</b>	68813	68918
<b>Range</b>		
.5" (12.7mm)	x	
12.7mm		x
<b>Resolution</b>		
.0005" (0.01mm)	x	
0.01mm		x
<b>Accuracy</b>		
±0.001" (±0.03mm)	x	
±0.03mm		x
<b>Additional Features</b>		
Origin Set, Zero Set	x	x
Counting Direction Switching (+/-)	x	x
Power ON/OFF	x	x
Inch/mm Conversion	x	
<b>Back Style</b>		
Flat & Lug On Center	x	x
<b>Battery Type</b>		
SR44 (1)	x	x



3600-5



### FEATURES

- Long battery life
- Simple, powerful, easy-to-use functions, all at an attractive price
- Plastic storage case with clear cover
- Large, easy-to-read LCD
- Zero setting at any position
- Reverse travel (control indicates direction)
- Dust cap

### The L.S. Starrett Company

121 Crescent Street  
Athol, MA 01332  
Tel: 978-249-3551



starrett.com

### Electronic Indicator Brochure

Bulletin 450  
2.5M/Q 04/13  
The L.S. Starrett Company 2013®  
Specifications Subject to Change