



**PROCESS GAUGES**

# SOLFRUNT® 4-1/2" Model 1929 Low Pressure Gauges

**DESCRIPTION**

Designed for pressure measurements as low as a few inches of water, these gauges, in spans from 30" H<sub>2</sub>O to 10 psi utilize a unique sensing element. It is composed of a stack of diaphragm capsules, each consisting of two plates contoured into a convex/concave configuration to nest into one another. This results in a low internal volume element developing large forces to drive the mechanism in extremely low pressure ranges. The measuring element may be filled and attached to a Mansfield & Green diaphragm seal (Type L) to permit use of the gauge with corrosive or viscous fluids. Type ST diaphragm seals may also work on Model 1929. Please contact factory for further information.

Calibration adjustments (scale shape and linearity) are made from rear of case without removing internals. The pointer is adjusted by removing the front ring and window.

**SPECIFICATIONS**

**SIZES:** 4-1/2"

**ACCURACY:** ±1% of span (Grade 1A)

**DIAPHRAGM:** 316L stainless steel, heli-arc welded

**WINDOW:** High temperature acrylic; laminated shatter-resistant glass option available, part number G038312

**MOVEMENT:** Heavy brass U-frame construction with nickel silver rocker arm on stainless steel pivots. Brass sector and nickel silver pinion operate on brass bearings. Minimum and maximum stops prevent segment and pinion disengagement

**DIAL:** Aluminum with white background and black markings

**POINTER:** Knife-edged, micrometer adjustable, black finish

**CASE AND RING:**

*For Stem or Wall Mounting:*

PET turret case (black) with glass-filled, threaded, polypropylene ring and plastic pressure-relieving back

**CONNECTION:** 316L stainless steel; 1/2-14 ANPT standard (1/4-18 ANPT optional)



**SOLFRUNT Model 1929**

**Model Selection Chart**

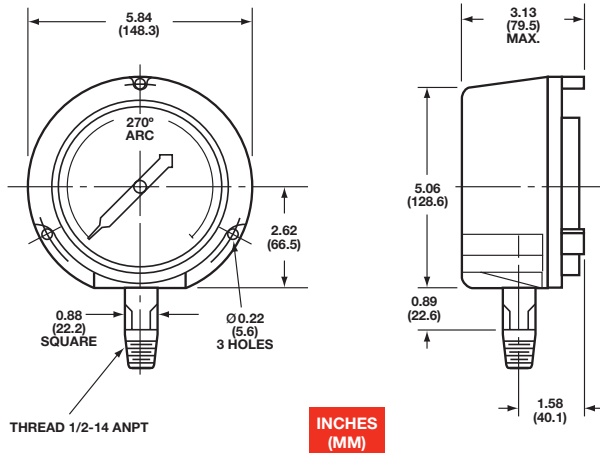
Model Number	Mounting	Case	Ring	Bourdon Tube	Socket	Connection*
1929	Stem/Wall	PET Turret	Threaded Polypropylene	316L Stainless Steel	316L Stainless Steel	1/2-14 ANPT LM

\* 1/4 - 18 ANPT optional



**PROCESS GAUGES**

# SOLFRUNT® 4-1/2" Model 1929 Low Pressure Gauges



## Spec Number Selection Chart

SOLFRUNT 4-1/2" Low Pressure Gauges	
Model Number	1929
Capsule	316L Stainless Steel
Socket	316L Stainless Steel
Sizes	4-1/2"
Ranges*	Spec No.
0-30" H <sub>2</sub> O VAC	132789
0-60" H <sub>2</sub> O VAC	132790
15"-0-15" H <sub>2</sub> O	132872
30"-0-30" H <sub>2</sub> O	132787
60"-0-60" H <sub>2</sub> O	132788
0-30" H <sub>2</sub> O	132784
0-60" H <sub>2</sub> O	132785
0-100" H <sub>2</sub> O	132786
0-200" H <sub>2</sub> O	132795
0-3 psi	132791
0-5 psi	132792
0-10 psi	132793

## Standard Dial Ranges

Maximum Indication	Figure Intervals	Intermediate Graduations	Minor Graduations
0-30" H <sub>2</sub> O VAC	5	1	0.2
0-60" H <sub>2</sub> O VAC	5	1	0.5
15"-0-15" H <sub>2</sub> O	3	1	0.2
30"-0-30" H <sub>2</sub> O	5	1	0.5
60"-0-60" H <sub>2</sub> O	10	5	1
0-30" H <sub>2</sub> O	5	1	0.2
0-60" H <sub>2</sub> O	5	1	0.5
0-100" H <sub>2</sub> O	10	5	1
0-200" H <sub>2</sub> O	20	10	2
0-3 psi	0.5	0.1	0.02
0-5 psi	1	0.25	0.05
0-10 psi	1	0.5	0.1

\* Metric and dual scale dials are available

1/4-18 ANPT available – use 133XXX when ordering