

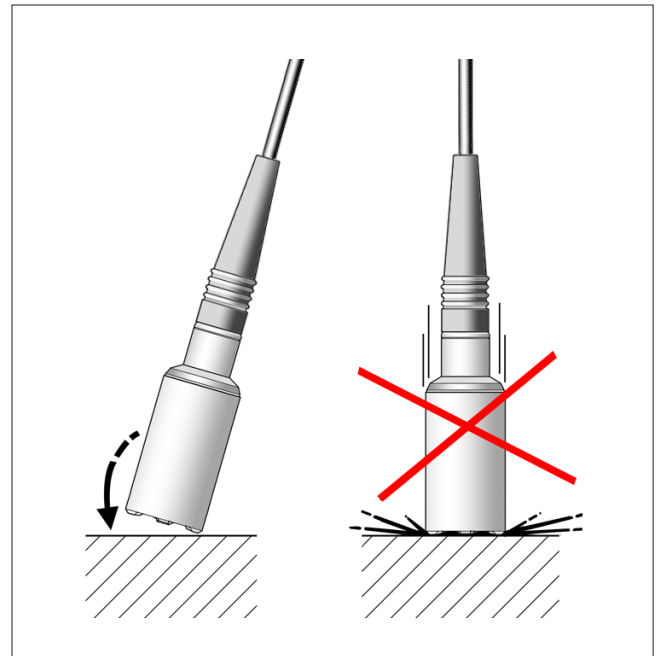
The vibration transducer TRM100 is an accelerometer based on micro-electro-mechanical-systems (MEMS) technologies, designed for vibration monitoring with the handheld instrument SPM VibChecker.

The transducer has integral magnet for attachment to plain, clean metal parts with the main sensitivity axis pointing in the desired measuring direction. To get comparable results, measuring points should be clearly marked, so that the measurements can always be taken in the same spots.

Technical data

Nominal sensitivity, main axis:	10 mV/m/s ² * =100 mV/g
Transverse sensitivity:	max. 10%
Linear frequency range:	1 to 1000 Hz (±1dB)
Max. peak acceleration:	18 g
Settling time:	3 sec
Bias point:	10 to 12V (typical 11V)
Temperature range:	-20° to +85° C (-4° to +185° F)
Power requirements:	24 V / 2 to 5 mA
Casing:	Stainless acid proof steel
Sealing:	IP67
Isolation:	Case isolated, > 1 Mohm
Weight:	70 grams (2.5 oz)
Connector type:	Lemo mini-coax

* Individual value given on the calibration chart.



Note: The magnetic transducer should be carefully mounted to the measuring point by "rocking" it into place.

Incorrect mounting of a transducer with integral magnet can cause very high g levels that may cause damage to the transducer.