

**HIGH ACCURACY
HEAVY DUTY**

sanitary

PRESSURE TRANSMITTERS

SERIES 11

meets 3A requirements for the food & beverage, dairy, pharmaceutical and biotechnology industries in addition to ASME BPE-2002 and CE compliant.



The NOSHOK Series 11 Sanitary Pressure Transmitter is designed for heavy duty sanitary applications where high accuracy and durability are required. Using diffused semiconductor sensor technology these transducers are stable, accurate, shock resistant and extremely durable.

The housing is constructed of 316SS and welded to the process connection for greater strength and integrity. The available 1 1/2 inch or 2 inch Tri-Clamp® connection, with its integral cooling extension, is 316L stainless steel and wetted parts are electro-polished to Ra25 microinch or better.

NOSHOK Series 11 Sanitary Transmitters meet 3A requirements for the food & beverage, dairy, pharmaceutical and biotechnology industries in addition to ASME BPE-2002 and CE compliant.

A final electrical output and calibration inspection is performed on all NOSHOK transmitters prior to shipment to ensure 100% "out-of-the-box" reliability.

FEATURES & SPECIFICATIONS

FEATURES

- Meets current 3A standards and ASME BPE-2002
- CE compliant
- Current or voltage output signals available to suit most applications
- NEMA 4X, IP65 (IEC529)
- Diffused semiconductor sensor for maximum stability
- Can be cleaned-in-place or steamed-in-place
- High accuracy and long term stability
- Integral cooling extension allows for higher media temperatures
- Exclusive NOSHOK 3 year extended warranty

Specifications	
Output Signals	4mA to 20mA 2-wire, 0Vdc to 5Vdc 3-wire, 1Vdc to 5Vdc 3-wire, 1Vdc to 6Vdc 3-wire, 0Vdc to 10Vdc, 3-wire, 1Vdc to 11Vdc 3-wire
Pressure Ranges	Standard gauge ranges from vacuum to 400 psig
Proof Pressure	3 times Full Scale for ranges 0 psig to 2 psig through 0 psig to 200 psig 1.75 times Full Scale for ranges 0 psig to 300 psig through 0 psig to 400 psig
Burst Pressure	3.8 times Full Scale for ranges 0 psig to 2 psig through 0 psig to 200 psig 4 times Full Scale for ranges 0 psig to 300 psig through 0 psig to 400 psig
Accuracy	±0.25% Full Scale (B.F.S.L) ±0.125% Full Scale (optional)
Repeatability	≤±0.05% Full Scale
Hysteresis	≤±0.1% Full Scale
Stability	≤±0.2% Full Scale for 1 year, non accumulating
Power Supply	10Vdc to 30Vdc for current output 14Vdc to 30Vdc for voltage output
Case Materials	316 stainless steel
Temperature Ranges	Compensated 32°F to 175°F (0°C to 80°C) Effect ±0.01%/°F for zero and span Ambient -40°F to 176°F (-40°C to 80°C)
Adjustment	±10% Full Scale for zero and span
Environment Protection	NEMA 4X, IP65 (IEC 529)
Electromagnetic Rating	CE compliant to EMC norm EN61326: 1997/A1: 1998 RFI, EMI, ESD protection
Electrical Protection	Reverse polarity, overvoltage and short circuit protection
Process Connection	1 1/2 inch or 2 inch Tri-Clamp®
Seal Housing Material	316L stainless steel
Diaphragm Material	316L stainless steel electropolished to Ra25 or better
Fill Fluid	White Oil (FFL 77), USP grade
Media Temperature	-40°F to 300°F (-40°C to 150°C)

11

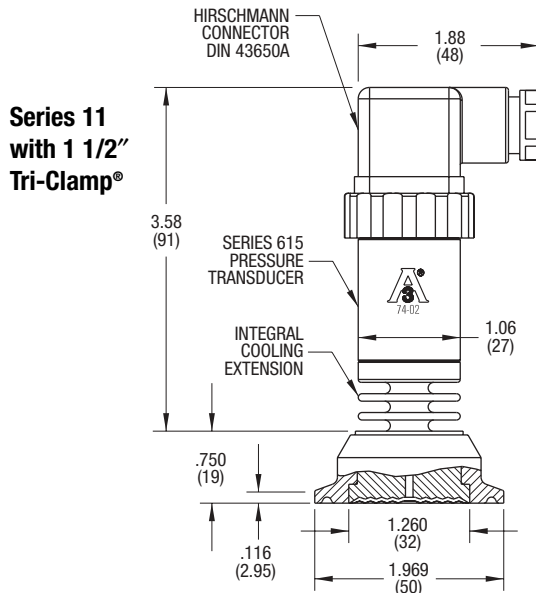
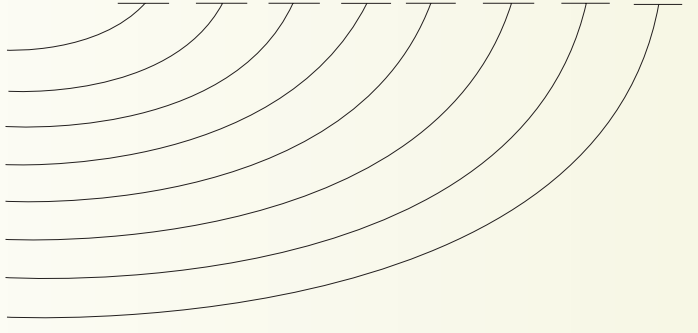
High Accuracy, Heavy Duty Sanitary Pressure Transmitter

ORDERING INFORMATION								
SERIES	Series 11 110							
CLAMP SIZE	12 1 1/2 Inch	16 2 Inch						
SEAL FILL FLUID	4 FFL77 White Oil	Other Food Grade Quality Fill Fluids Available – Please Consult Factory						
TRANSMITTER	615 Series 615 Transmitter							
ACCURACY	1 ±0.25% Full Scale – STD	2 ±0.125% Full Scale						
PRESSURE RANGE	30" Hg to 0 psig	01	30" Hg to 150 psig	16	0 psig to 10 psig	37	0 psig to 150 psig	52
	30" Hg to 15 psig	04	30" Hg to 200 psig	19	0 psig to 15 psig	40	0 psig to 200 psig	58
	30" Hg to 30 psig	07	30" Hg to 300 psig	22	0 psig to 30 psig	43	0 psig to 300 psig	61
	30" Hg to 60 psig	10	0 psig to 100" H ₂ O	31	0 psig to 60 psig	46	0 psig to 400 psig	64
	30" Hg to 100 psig	13	0 psig to 5 psig	34	0 psig to 100 psig	49		
OUTPUT SIGNAL	1 4mA to 20mA, 2-wire	3 1Vdc to 5Vdc, 3-wire	5 0Vdc to 10Vdc, 3-wire					
	2 0Vdc to 5Vdc, 3-wire	4 1Vdc to 6Vdc, 3-wire	6 1Vdc to 11Vdc, 3-wire					
ELECTRICAL CONNECTION	1 36" cable attached to Hirschmann	23 Cable gland with internal junction box						
	3 6-pin Bendix	25 M12 X 1 4-pin						
	8 Hirschmann (DIN 43650A)	29 1/2" NPT female conduit w/internal junction box						
	14 1/2" ISO 4400 Conduit	36 Integral 36" Cable						

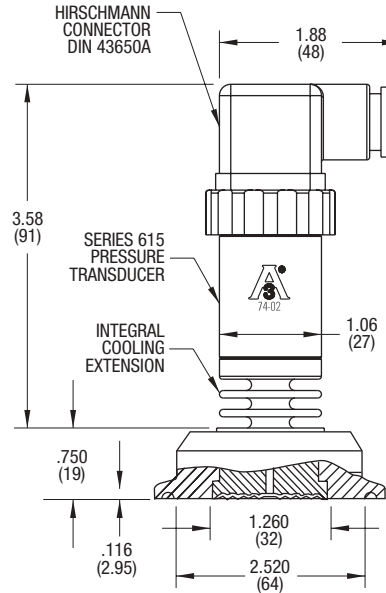
EXAMPLE

SERIESSeries 11 sanitary transmitter
CLAMP SIZE1 1/2inch Tri-Clamp®
SEAL FILL FLUIDWhite oil
TRANSMITTER615 Series
ACCURACY±0.25% Full Scale
PRESSURE RANGE0 psig to 5 psig
OUTPUT SIGNAL4mA to 20mA, 2-wire
ELECTRICAL CONNECTION .Hirschmann with 3 feet of cable

110 - 12 - 4 - 615 - 1 - 34 - 1 - 1



Series 11 with 1 1/2" Tri-Clamp®



Series 11 with 2" Tri-Clamp®

Current 2-Wire Wiring Diagram

	Hirschmann	Cable	M12	Bendix	Internal Junction Box
+ Supply	1	Red	1	A	1
+ Output	2	Black	3	B	2

3-Wire Wiring Diagram

	Hirschmann	Cable	M12	Bendix	Internal Junction Box
+ Supply	1	Red	1	A	1
+ Output	3	White	4	C	3
Common	2	Black	3	B	2