



Product Data

Special Application Gauges

TRANSCAT

[Visit us at Transcat.com!](http://www.transcat.com)

35 Vantage Point Drive // Rochester, NY 14624 // Call 1.800.800.5001

Model P1522 2" Corrosion Resistant Pressure Gauges

DESCRIPTION

The Model P1522 is an all-stainless steel pressure gauge featuring Type 316L SST internal wetted components and a polished 304 SST case to withstand corrosive media and atmospheres. These gauges are ideally suited for industrial and specialty gas applications.

FEATURES

- Type 316L stainless steel wetted parts
- Pressure ranges to 6000 psi
- Standard catalog gauges have easy-to-read single scale psi dials
- Low cost
- Custom dials available in OEM quantities

APPLICATIONS

- Process industry applications requiring SST wetted parts
- Specialty Gas Regulators
- Specialty Gas Manifolds
- Specialty Gas Control Cabinets

SPECIFICATIONS

SIZE: 2"

CASE: 304 polished stainless steel standard; steel, chrome plated available as an OEM option

WINDOW: Twist-on style, polycarbonate

POINTER: Galvalume, black finish

DIAL: Galvalume, white background with black markings

BOURDON TUBE: 316L stainless steel

MOVEMENT: 304 stainless steel

CONNECTION: 1/4-18 NPT standard, center back (CBM) or low mount (LM); other connections available in OEM quantities

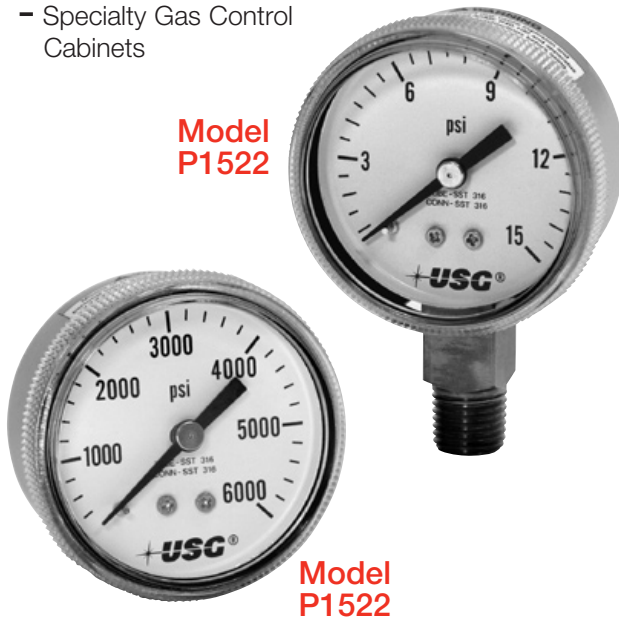
RANGES: 30" Hg to 0 through 0 to 6000 psi (please reference pressure ranges on next page, in SPEC NUMBER SELECTION CHART); other pressure ranges available in OEM quantities

ACCURACY: ±3-2-3% of span (ASME B40.1 Grade B) optional ±1% accuracy on low pressure/±2% accuracy on high pressure gauges available in OEM quantities.

SCALES: Single psi scale standard on catalog part numbers; dual scales and other single scales such as bar, kPa, Kg/cm², etc. available upon request in OEM quantities.

OPERATING TEMPERATURE:
Ambient: -4°F to 140°F (-20°C to 60°C)
Media: Maximum 185°F (85°C)

OTHER OPTIONS: O₂ cleaning, helium leak testing, SST restrictor, custom dials, special connections, etc.



Model P1522

Model P1522





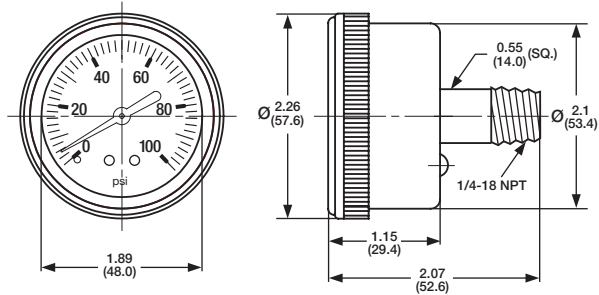
Product Data

Special Application Gauges

Model P1522 2" Corrosion Resistant Pressure Gauges

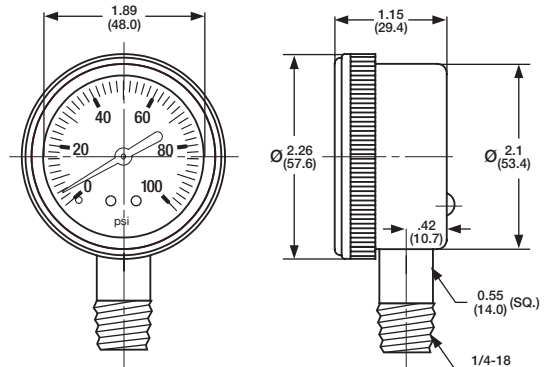
SPEC NUMBER SELECTION CHART

	Model P1522 1/4-18 NPT Low Mount	Model P1522 1/4-18 NPT Center Mount
Bourdon Tube	316 Stainless Steel	316 Stainless Steel
Connection	316 Stainless Steel	316 Stainless Steel
Size	2 Inch	2 Inch
Range	Spec No.	Spec No.
30" Hg	172028A	172050A
30"-0-15 psi	172029A	172051A
30"-0-30 psi	172030A	172052A
30"-0-60 psi	172031A	172053A
30"-0-100 psi	172032A	172054A
15 psi	172033A	172055A
30 psi	172034A	172056A
60 psi	172035A	172057A
100 psi	172036A	172058A
160 psi	172037A	172059A
200 psi	172038A	172060A
300 psi	172039A	172061A
400 psi	172040A	172062A
600 psi	172041A	172063A
800 psi	172042A	172064A
1000 psi	172043A	172065A
1500 psi	172044A	172066A
2000 psi	172045A	172067A
3000 psi	172046A	172068A
4000 psi	172047A	172069A
5000 psi	172048A	172070A
6000 psi	172049A	-



CENTER BACK MOUNT
(CBM)

INCHES
(MM)



LOWER MOUNT
(LM)

TRANSCAT

▶ Visit us at Transcat.com!

35 Vantage Point Drive // Rochester, NY 14624 // Call 1.800.800.5001



© 2008, by AMETEK, Inc. All rights reserved.
Printed in the U.S.A. 908PDF (160166)



Specifications are subject to change without notice. Visit our Web site for the most up-to-date information.