

Digital Pressure Gauges



SERIES 1000

HIGH PERFORMANCE DIGITAL PRESSURE GAUGES

NOSHOK 1000 Series Digital Pressure Gauges were designed to exceed industry's most demanding application requirements. Using the latest in reliable ceramic thick film strain gage technology combined with low power electronics, these gauges are accurate, stable and extremely reliable. NOSHOK digital gauges are ideally suited for local indication, and with the analog voltage output or limit switch option they can interface with other monitoring and control systems. Also, a max./min. memory feature is standard to provide peak and valley capture.

A rigorous inspection is performed on all NOSHOK digital gauges after final assembly and prior to shipment to ensure 100% "out of the box" reliability.

FEATURES

- Proven stable ceramic thick film strain gage sensor
- High accuracy
- 4 digit LCD display
- Wide variety of pressure ranges
- Simple front face programming
- Display rotates for best viewing
- Min./max. value standard
- Analog output or limit switch option
- 9 volt battery operation
- CE Compliant

APPLICATIONS

- Hydraulic and pneumatic systems
- Pumps and compressors
- Test equipment and systems
- Industrial machinery and machine tools
- HVAC systems
- Power generation
- Water and wastewater
- Stamping and forming presses

SPECIFICATIONS

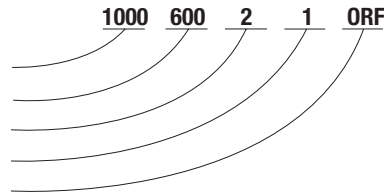
| | |
|-------------------------------|---|
| Display | 0.5" high Liquid Crystal Display |
| Digits | 4, up to 9999 |
| Accuracy | ±0.5 % Full Scale |
| Update rate | 5 times/second |
| Pressure ranges | Standard gauge ranges from vacuum through 5000 psig |
| Proof pressure | 3 times Full Scale for ranges 0 psi to 15 psi through 0 psi to 600 psi 2 times Full Scale for ranges 0 psi to 1000 psi through 0 psi to 3000 psi 1.5 times Full Scale for 0 psi to 5000 psi range |
| Burst pressure | 4 times Full Scale for ranges 0 psi to 15 psi through 0 psi to 600 psi 2.5 times Full Scale for ranges 0 psi to 1000 psi through 0 psi to 3000 psi 2 times Full Scale for 0 psi to 5000 psi range |
| Wetted materials | Ceramic diaphragm, 316 stainless steel body with Viton® internal seal |
| Housing material | Polyamid |
| Zero adjustment | ±25 % Full Scale |
| Power supply | 9 Vdc battery (internal) 5000 hrs with standard 600 mAh battery 10000 hrs with 1200 mAh battery |
| On/off switch | Manual; must be on for analog output or limit switch option to operate; auto shut-off optional |
| Temperature ranges | Compensated 32 °F to 140 °F (0 °C to 60 °C) Zero effect is ±0.01 % Full Scale/°F Span effect is ±0.005 % Full Scale/°F Ambient 32 °F to 140 °F (0 °C to 60 °C) Media -22 °F to 176 °F (-30 °C to 80 °C) Storage -22 °F to 176 °F (-30 °C to 80 °C) |
| Environmental rating | IP65, NEMA 4X according to EN 60529/IEC 529 |
| Electromagnetic rating | CE compliant to EMC norm EN 61326:1997/A1:1998 RFI, EMI and ESD protection |
| Min./max. value | Peak and valley capture |
| Output option | 0-2Vdc into 100,000 Ω minimum |
| Limit switch option | Switching function: Normally Open dry contact Contact rating: 30 Vac/Vdc, 2A Set point and hysteresis adjustable over the pressure range |
| Weight | Approximately 14 oz. |

| ORDERING INFORMATION | | | | | | | | |
|----------------------------|--|--|---|------------|---------------------|-------------|---------------------|-------------|
| SERIES 1000 | | | | | | | | |
| PRESSURE RANGES | -30 inHg to 0 psig | 30V | 0 psig to 100 psig | 100 | 0 psig to 300 psig | 300 | 0 psig to 2000 psig | 2000 |
| | 0 psig to 15 psig | 15 | 0 psig to 150 psig | 150 | 0 psig to 600 psig | 600 | 0 psig to 3000 psig | 3000 |
| | 0 psig to 30 psig | 30 | 0 psig to 200 psig | 200 | 0 psig to 1000 psig | 1000 | 0 psig to 5000 psig | 5000 |
| | 0 psig to 60 psig | 60 | | | | | | |
| | psig = Gauge Pressure | | Other ranges available on special request | | | | | |
| PROCESS CONNECTIONS | 1 1/8" NPT male | 2 1/4" NPT male | 3 7/16" -20UNF-2A male | | | | | |
| OPTIONS | 1 Peak memory - Standard | 2 0 Vdc to 2 Vdc (with 5-pin M12 x 1 connector) | | | | | | |
| | 3 Limit switch (with 5-pin M12 x 1 connector) | 4 0 Vdc to 2 Vdc (with 18" cable) | | | | | | |
| | 5 Limit switch (with 18" cable) | | | | | | | |
| | ORF Threaded orifice (.3 mm) | | | | | | | |

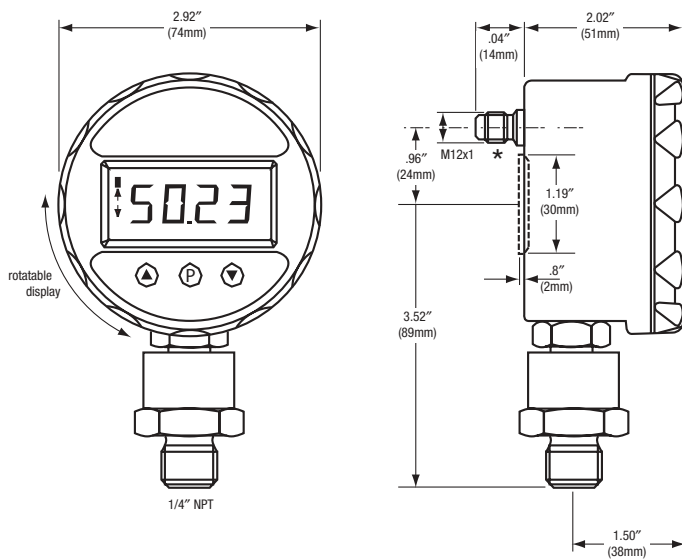
Please consult your local NOSHOK Distributor or NOSHOK, Inc. for availability and delivery information.

EXAMPLE

Series 1000
Pressure Range 0 psig to 600 psig
Process Connection 1/4" NPT Male
Options Peak memory
 Orifice

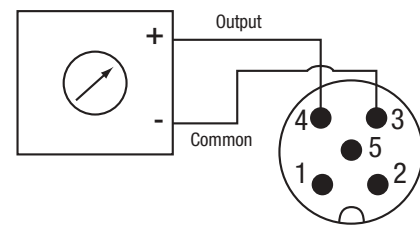


Outline Dimensions



* NOTE: Only on units with switch or analog output

Wiring for optional analog output



Wiring for optional limit switch (1 N.O. Dry Contact)

