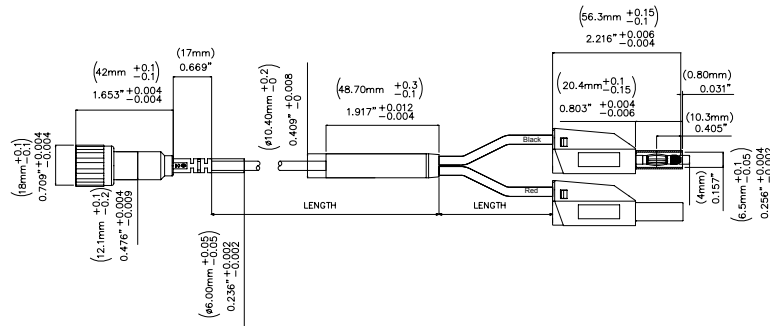


**Models 72927
Insulated BNC (M) / 4mm Plugs**

TRANSCAT

Visit us at Transcat.com

35 Vantage Point Drive // Rochester, NY 14624 // Call 1.800.800.5001



Features

- Insulated BNC (M) / 4mm Plugs, 50Ω

Materials

Connector:

- Connector body: Nickel plated Brass
- Center Contact: Gold Plated Brass
- Dielectric: White PTFE

Plugs:

- Plug spring: Nickel plated bronze Beryllium copper.
- Plug Body: Nickel plated Brass
- Insulation Tip: Polysulfone
- Plug Insulation: Polypropylene
- Wire: PVC Jacket

Ordering Information

Model: 72927-C-Length

Available Lengths: 40 inches (-40) or 80 inches (-80)

Specifications

Max Current	3 A Max
Max Voltage	500 V CAT I 150 V CAT III
Cable	50 Ω

All dimensions are in inches. Tolerances (except noted): .xx = ±.02" (.51 mm), .xxx = ±.005" (.127 mm). All specifications are to the latest revisions. Specifications are subject to change without notice. Registered trademarks are the property of their respective companies.