

BILL OF MATERIAL

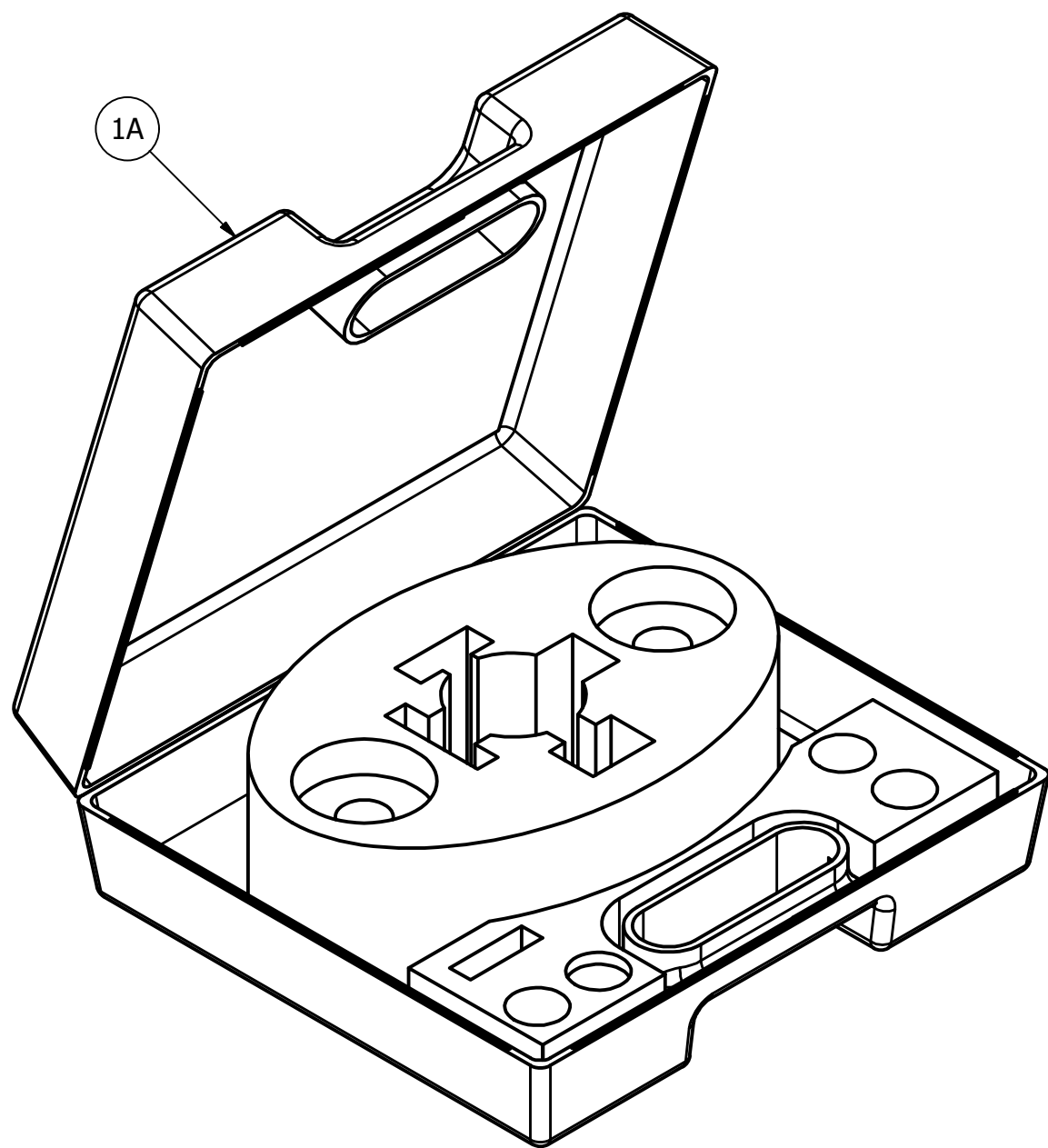
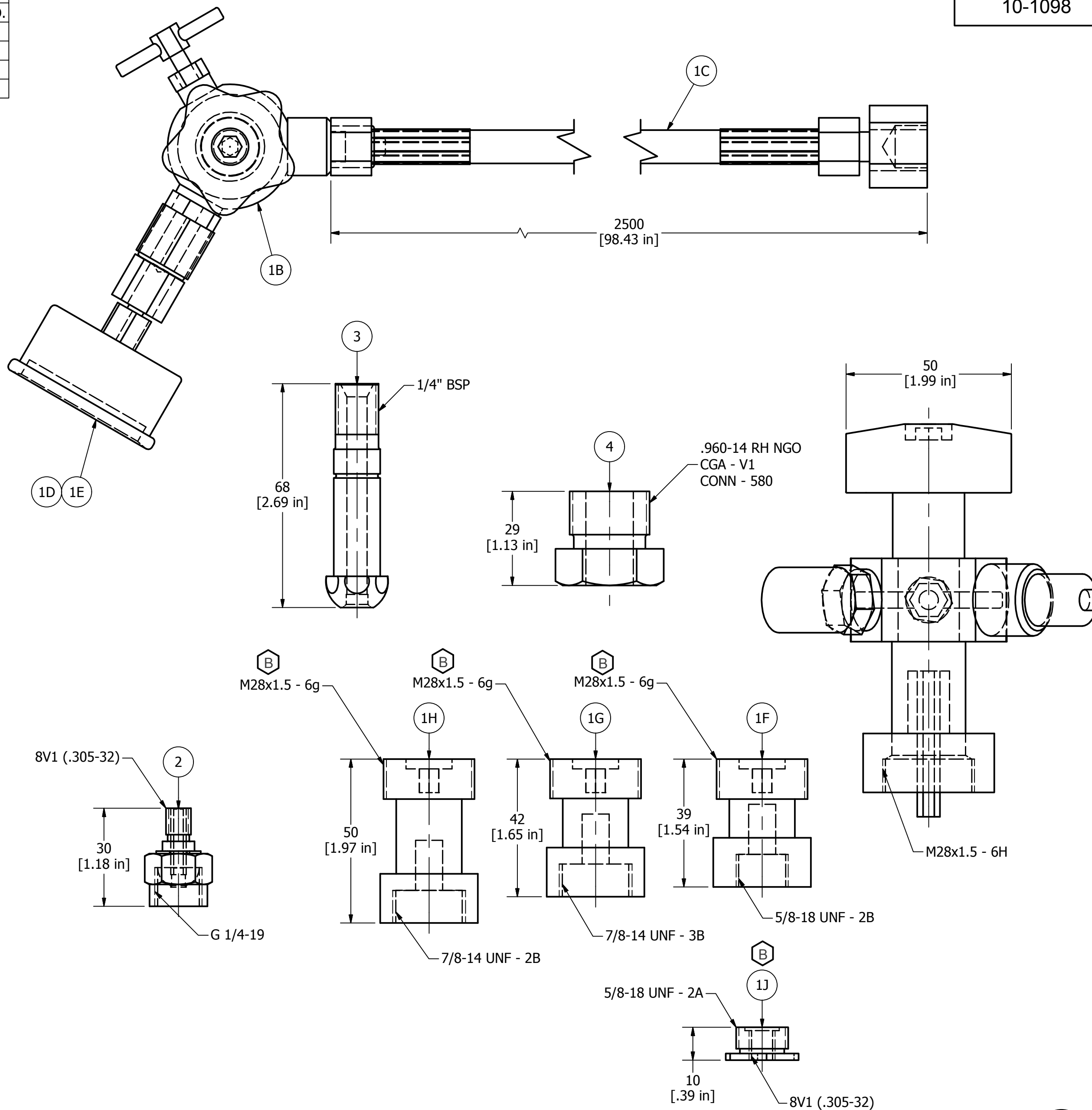
ITEM	QTY	PART NUMBER	DESCRIPTION	DRAWING NO.
1	1	202.141-22723	C & G ASSEMBLY	14-2613
2	1	10703	CHARGING VALVE ADAPTOR	10703
3	1	OL-CG-3008	GLAND	CG300801
4	1	CG-3011	GLAND NUT	N/A

DRAWING NO.

10-1098

TABLE 1 (C & G ASSY 202.141-22723)

ITEM	QTY	PART NUMBER	DESCRIPTION
1A	1	N/A	CARRYING CASE
1B	1	N/A	VGU MANIFOLD
1C	1	N/A	CHARGIN HOSE
1D	1	000488-00000	PRESSURE GAUGE (0-25 BAR)
1E	1	000490-00000	PRESSURE GAUGE (0-250 BAR)
1F	1	202.130-00223	ADPT 5/8-18 TO M28X1.5
1G	1	202.135-00223	ADPT 7/8-14 TO M28X1.5 (SHORT)
1H	1	202.127-00223	ADPT 7/8-14 TO M28X1.5 (LONG)
1J	1	202.140-00200	ADPT 5/8-18 TO 8V1 (.305-32)



ECR CHANGE DESCRIPTION
 UPDATED BOARDER, RE-BUBBLED ITEMS, ADDED TABLE 1
 WAS NONE, ADDED THREAD CALLOUT @C3-4, MOVED BOM
 TO TOP LEFT WAS TOP RIGHT, REVISED BOM & RELEASED
 UNDER REV B

ECR NUMBER
 N/A
 ECR DATE
 04/21/2014

THIS DOCUMENT CONTAINS INFORMATION THAT IS CONFIDENTIAL
 AND PROPRIETARY TO PARKER-HANNIFIN CORPORATION. THIS
 DOCUMENT IS FURNISHED ON THE UNDERSTANDING THAT THE
 DOCUMENT AND THE INFORMATION IT CONTAINS WILL NOT BE
 COPIED OR DISCLOSED TO OTHERS EXCEPT WITH THE WRITTEN
 CONSENT OF PARKER. WILL NOT BE USED FOR ANY OTHER
 PURPOSE THAN CONDUCTING BUSINESS WITH PARKER, AND WILL
 BE RETURNED AND ALL FURTHER USE DISCONTINUED UPON
 REQUEST BY PARKER.
 © COPYRIGHT PARKER. ALL RIGHTS RESERVED. YEAR OF
 COPYRIGHT IS FIRST YEAR INDICATED ON THIS DOCUMENT.

UNLESS OTHERWISE
 SPECIFIED DIMENSIONS
 ARE IN INCHES (mm)
 EXCLUDING ASSEMBLIES
 TOLERANCE: X=±.06
 XX=±.01, XXX=±.005
 ANGULAR ±.5°
 FINISH 125 RMS
 BREAK ALL SHARP
 EDGES .005-.015R

MATERIAL
 FINISH
 SCALE
 DATE
 DRAWN BY
 CKD BY
 APP. BY

PARKER HANNIFIN CORPORATION
 ACCUMULATOR &
 COOLER
 DIVISION
 Machesney Park, IL 61115



CHARGING AND GAUGING ASSY
 INCLUDES UNIVERSAL ADAPTOR
 0-250 BAR

PART NO.
CG-UNIVERSAL
 DRAWING NO.
10-1098