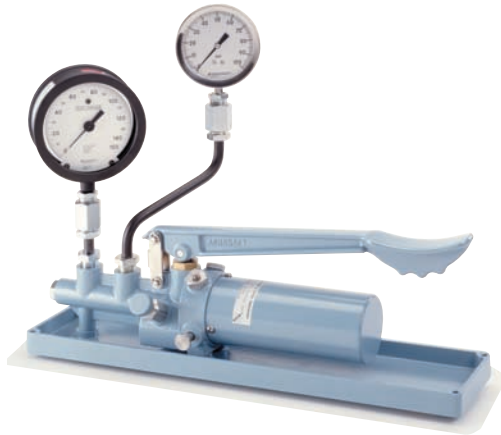


## Type 1327D Pressure Gauge Comparator



### APPLICATION

- For pressure generating applications requiring a manually operated hydraulic pump

### FEATURES

- Operating Pressure: 0-10,000 psi maximum (0-60,000 kPa)
- Operating Media:
  - Standard: SAE 20 weight automotive machine oil
  - Optional: Phosphate-based or glycol fluids; Distilled water for oxygen service
- O-ring Material:
  - Standard: Buna N (D Series)
  - Optional: Ethylene Propylene (DH Series)
- Reservoir Volume: Approximately 1.5 pints (0.7 liter)

Many calibration applications require only a quick comparison to a master gauge, without the need for a primary deadweight standard. In these applications the Ashcroft 1327D offers the ideal combination of a reliable pressure source and a proven secondary standard.

The 1327D utilizes the same pump, tools, box and accessories that are used in the 1305D deadweight tester. However, instead of weights and pistons, the 1327D employs from 1 to 4 Ashcroft model 1082 test gauges as comparison masters. These gauges have a dial size of 4½ inches and are accurate to 0.25% of span in compliance with the requirements of ASME (formerly ANSI) B40.1, grade 3A. The Ashcroft 1082 Test Gauge makes the 1327D the perfect choice for the calibration of 1% F.S. industrial service gauges where a 4:1 accuracy ratio must be maintained.

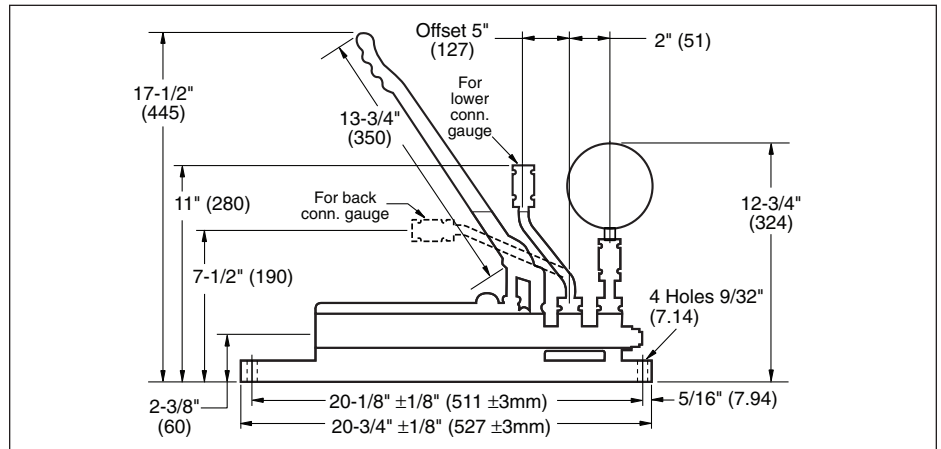
Like the 1305D, the 1327D is available in versions to accommodate either petroleum based oils or glycol and phosphate ester based "hydraulic fluids". In addition, the 1327D can be configured to operate with distilled water for the calibration of oxygen service gauges.

Lightweight and fully portable, the 1327D offers maximum utility in one simple, compact and complete test set.

### SPECIFICATIONS – 1327D

- Accuracy:** 0.25% of gauge span
- Gauges:** Ashcroft Model 1082(#4384), 4½", ASME B40.1, Grade 3A, temp. compensated. Bourdon tube materials – Bronze or "K" Monel (depending on range) Gauge ranges – (see table)
- Operating Pressure:** 0 to 10,000 psi max. (0 to 70,000 kPa)
- Reservoir Volume:** Approximately 1.5 pints (0.7 liter)
- Pump Body Material:** Aluminum alloy
- Operating Fluid:** 1327D – SAE 20 automotive or machine oil  
1327DH – Phosphate or glycol base hydraulic fluids  
1327DO – Distilled water (with sodium molybdate and phosphoric acid additives recommended as corrosion inhibitors)
- O-Ring Seals:** Standard (1327D and 1327DO) – Buna-N  
Optional (1327DH) – Ethylene Propylene
- Accessories:** Metal carrying and storage box  
Lower connection offset pipe assembly  
Back connection pipe  
Gauge pipe extension assembly  
¼ & ½ NPT Female adapters  
Wrench (1" x 1½")  
Wrench (¾" x 1")  
Wrench (¾")  
Pointer puller set  
Installation and Operation Manual  
Spare O-ring kit
- Certification:** Standard – No documentation provided  
Optional – NIST traceability document provided for each gauge only upon request of "CD-4" certification documents.
- Carrying Case Dimensions:** 10 x 10 x 22 (inches)

## Type 1327D Pressure Gauge Comparator



| UNIT OF MEASURE    | MODEL NUMBER   | GAUGE RANGES INCLUDED |        |          |          | NET WEIGHT |     |
|--------------------|----------------|-----------------------|--------|----------|----------|------------|-----|
|                    |                |                       |        |          |          | lbs.       | kg. |
| psig               | 1327DG-2       | 0/150                 | -      | -        | -        | 36         | 16  |
|                    | 1327DG-6       | 0/150                 | 0/600  | -        | -        | 38         | 17  |
|                    | 1327DG-50      | 0/150                 | 0/600  | 0/5000   | -        | 40         | 18  |
|                    | 1327DG-100     | 0/150                 | 0/600  | 0/5000   | 0/10,000 | 42         | 19  |
| kg/cm <sup>2</sup> | 1327DMG-10     | 0/10                  | -      | -        | -        | 36         | 16  |
|                    | 1327DMG-40     | 0/10                  | 0/40   | -        | -        | 38         | 17  |
|                    | 1327DMG-250    | 0/10                  | 0/40   | 0/250    | -        | 40         | 18  |
|                    | 1327DMG-600    | 0/10                  | 0/40   | 0/250    | 0/600    | 42         | 19  |
| bar                | 1327DBG-10     | 0/10                  | -      | -        | -        | 36         | 16  |
|                    | 1327DBG-40     | 0/10                  | 0/40   | -        | -        | 38         | 17  |
|                    | 1327DBG-250    | 0/10                  | 0/40   | 0/250    | -        | 40         | 18  |
|                    | 1327DBG-600    | 0/10                  | 0/40   | 0/250    | 0/600    | 42         | 19  |
| kPa                | 1327DAG-1000   | 0/1000                | -      | -        | -        | 36         | 16  |
|                    | 1327DAG-4000   | 0/1000                | 0/4000 | -        | -        | 38         | 17  |
|                    | 1327DAG-25,000 | 0/1000                | 0/4000 | 0/25,000 | -        | 40         | 18  |
|                    | 1327DAG-60,000 | 0/1000                | 0/4000 | 0/25,000 | 0/60,000 | 42         | 19  |

▶ Visit us at [Transcat.com!](http://Transcat.com!)

35 Vantage Point Drive // Rochester, NY 14624 // Call 1.800.800.5001