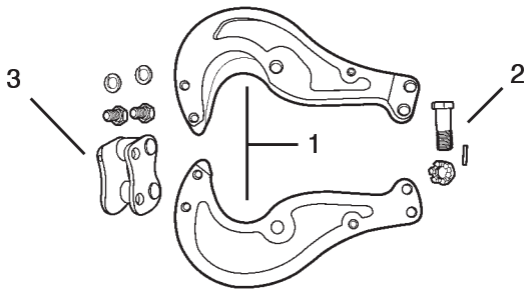


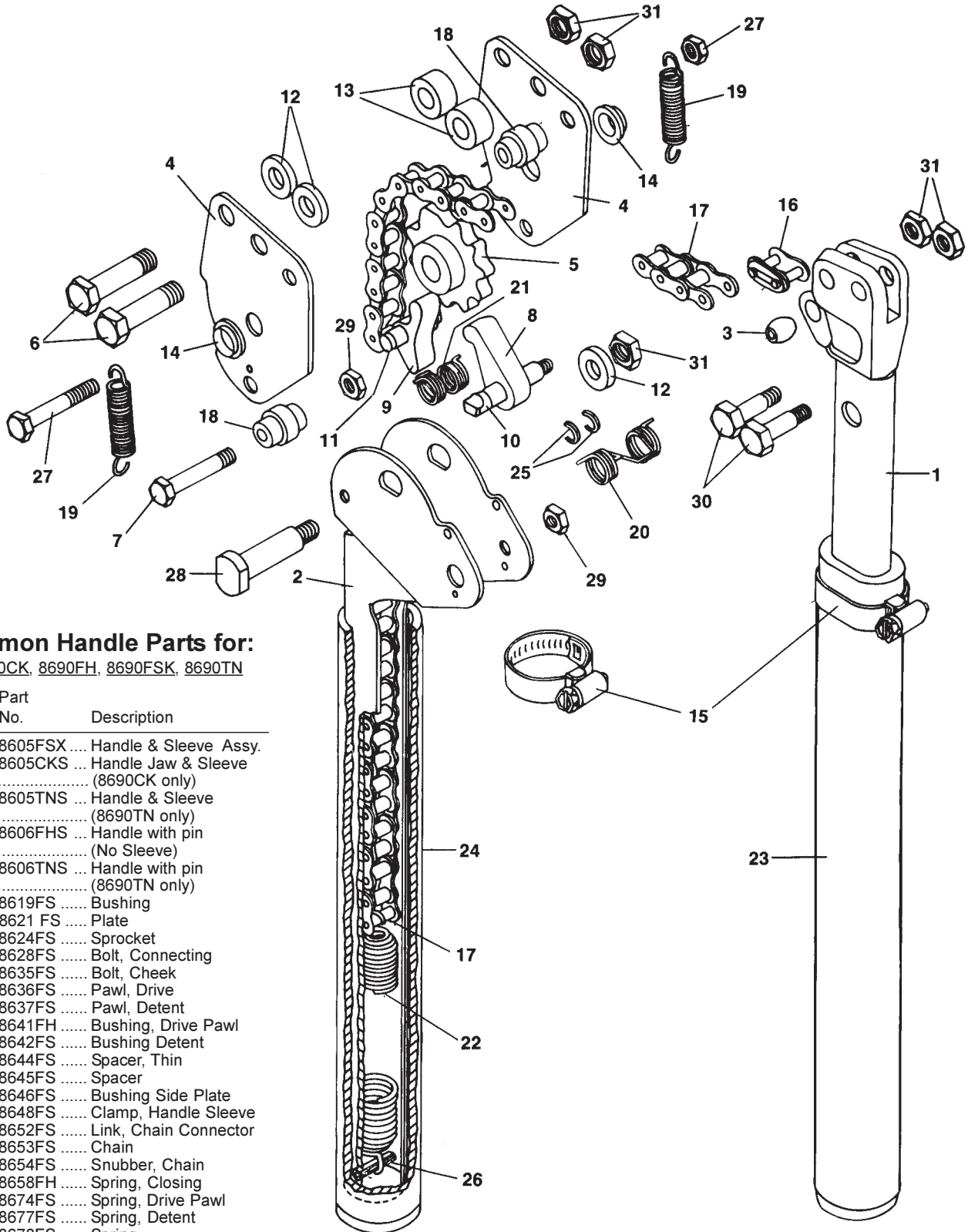
8690FSK Cutterhead



Parts for 8690FSK

Item No.	Part No.	Description
	8613FSK	Cutterhead
1	8610FSK	Pair of Jaws
2	8695FSK	Pivot Bolt Assy.
3	8650FH	Keeper Assembly
4	0052GC	Bolts, Keeper Assy.

Common Handle Parts For 8690 Series *



Common Handle Parts for:

8690CK, 8690FH, 8690FSK, 8690TN

Item No.	Part No.	Description
1	8605FSX	Handle & Sleeve Assy.
1	8605CKS	Handle Jaw & Sleeve (8690CK only)
1	8605TNS	Handle & Sleeve (8690TN only)
2	8606FHS	Handle with pin (No Sleeve)
2	8606TNS	Handle with pin (8690TN only)
3	8619FS	Bushing
4	8621 FS	Plate
5	8624FS	Sprocket
6	8628FS	Bolt, Connecting
7	8635FS	Bolt, Cheek
8	8636FS	Pawl, Drive
9	8637FS	Pawl, Detent
10	8641FH	Bushing, Drive Pawl
11	8642FS	Bushing Detent
12	8644FS	Spacer, Thin
13	8645FS	Spacer
14	8646FS	Bushing Side Plate
15	8648FS	Clamp, Handle Sleeve
16	8652FS	Link, Chain Connector
17	8653FS	Chain
18	8654FS	Snubber, Chain
19	8658FH	Spring, Closing
20	8674FS	Spring, Drive Pawl
21	8677FS	Spring, Detent
22	8678FS	Spring
23	8680CKS	Sleeve and Clamp
24	8681 FH	Sleeve (no Clamp)
25	8683FH	Ring, Ret.
26	8685FH	Pin, Spring
27	8687FHS	Bolt and Nut
28	8692FS	Bolt, Sprocket
29	0109SK	Nut, Cheek Bolt
30	0135SK	Bolt
31	2666K	Nut

***8690 SERIES: Contact Customer Service or Product Specialist when ordering 8790 Ratchet Tool Parts.**

TRANSCAT

▶ Visit us at Transcat.com!

35 Vantage Point Drive // Rochester, NY 14624 // Call 1.800.800.5001