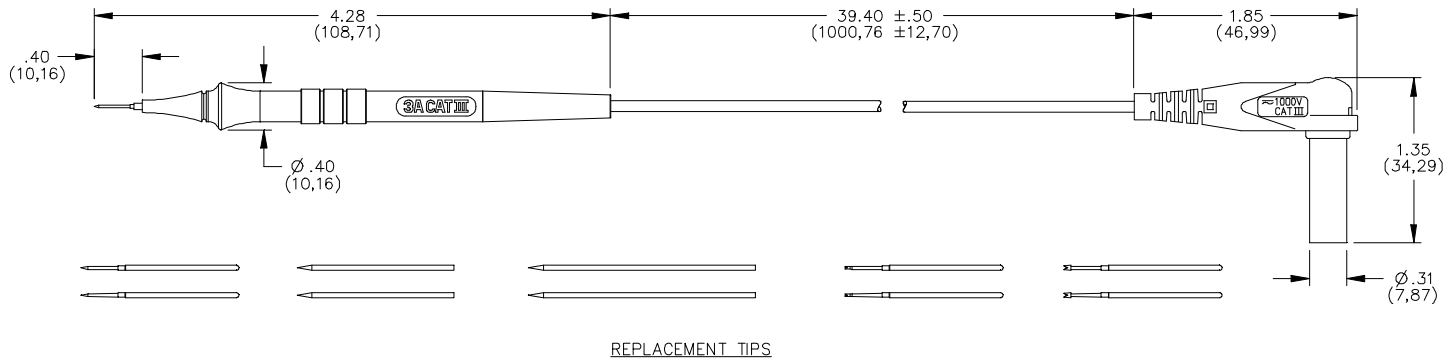


# Pomona®

## Model 6341 Precision Electronic Probe Kit w/Replacement Tips



### FEATURES:

- IEC 1010 compliant, CAT III, 1,000 V, 3 Amperes
- Ideal for making measurements not easily accessible.
- Right angle sheathed banana plug for connection to hand held digital multimeters.
- Plugs fit most Fluke, Tektronix, Hewlett-Packard, and Wavetek meters
- Includes 5 sets of replacement tips

### MATERIALS:

Probe Body: Outer Insulation - Santoprene® Rubber, Color: Gray

Inner Insulation – Polypropylene, Fire Retardant

Right Angle Sheath Banana Plug:

Plug Body: Nickel plated brass.

Banana Plug Spring: Nickel plated Beryllium copper.

Insulation: fire retardant polypropylene.

Wire: 24 AWG, stranding 45 x 40 tinned copper, silicon rubber .089 (2,26mm) O.D.

Color: See Ordering Information

Replacement Tips: 1” Stainless Steel Tip, 3” long Stainless Steel Tip, Gold-plated Plunger Tip with sharp Point, Gold-plated 3 point Plunger Tip, Gold-plated 4 point Plunger Tip

### RATINGS:

Operating Temperature: 55° C.

Operating Voltage: 1000 VRMS

Current: 3 Amperes

### ORDERING INFORMATION: Model 6341

Kit contains one Red probe, one Black probe with five sets of Replacement Tips. 6354 – Set of 5 Replacement Tips

All dimensions are in inches. Tolerances (except noted): .xx = ±.02” (.51 mm), .xxx = ± .005” (.127 mm).

All specifications are to the latest revisions. Specifications are subject to change without notice.

Registered trademarks are the property of their respective companies. Made in USA