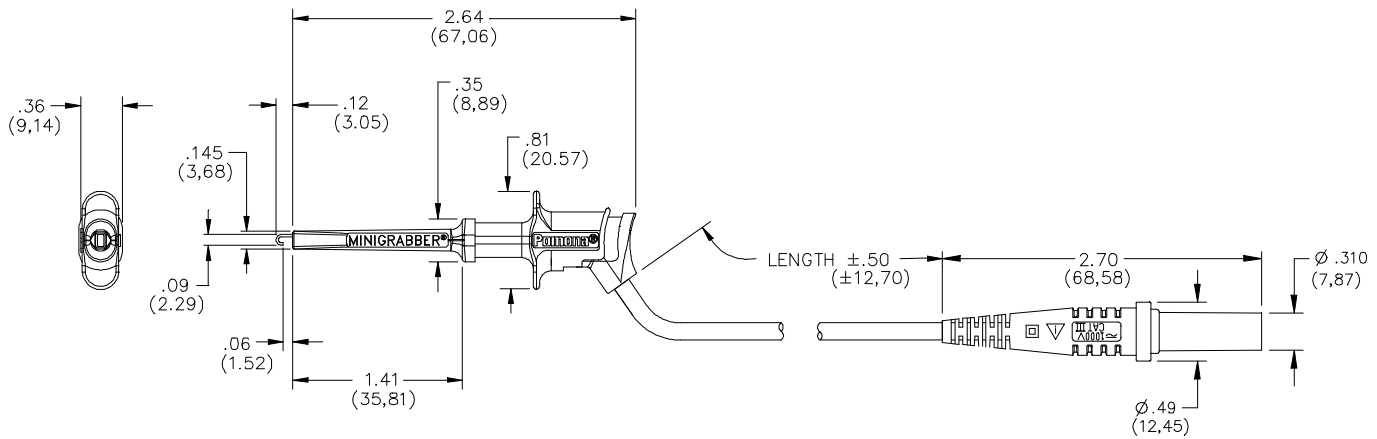


Pomona®

Model 6245 Minigrabber® Test Clip to Straight Sheathed Banana Plug



FEATURES:

- Newly designed Minigrabber® Test Clip Patch Cord complies with IEC 1010-2-31, which is the latest international safety standard for test accessories.
- Grabber width is a slim .36" (9,14 mm) for easier side by side stacking
- Grabber hook is gold plated Beryllium Copper to ensure signal integrity
- Grabber hook attaches onto component leads up to .060" (1,5 mm) O.D.
- Grabber patch cord interfaces directly into the most popular multimeters configured with 4 mm sheathed safety jacks including Amprobe, Fluke, H.P., Tektronix and Wavetek
- For added safety, the grabber and banana plug body insulation material is fire retardant Nylon 6, UL 94 V-0 rated
- Plug is molded directly to the cable in an integral one-piece design and the wire is double crimped for a long lasting connection
- Multi-leaf banana spring material is nickel plated Beryllium Copper for extended insertion life and low contact resistance
- High strand count silicone insulated wire offers excellent flexibility and high temperature resistance

MATERIALS:

Grabber: Body: Nylon – Fire Retardant – UL94 V-0 Rated, Color per part number

Hook: Beryllium Copper, Gold Plated, Compression Spring: Music Wire

Wire: 18 AWG, 65 x 36 Tinned copper, Insulation – Silicone, .144" (3,66 mm) O.D., Color per P/N

Banana Plug: Body – Brass, Nickel Plated, Spring – Beryllium Copper, Nickel Plated

Insulation – Nylon 6 – Fire Retardant – UL94 V-0 Rated, Color per part number

RATINGS:

IEC 1010-2-031, Category II, P2 Compliant

Voltage: 300 VRMS/DC Max.

Current: 5 Amperes Max.

ORDERING INFORMATION: Model 6245-XX-*

XX = Length in Inches, Standard Length: 48" (122 cm)

* = Color Code, -0 Black, -2 Red

All dimensions are in inches. Tolerances (except noted): .xx = ±.02" (.51 mm), .xxx = ±.005" (.127 mm).

All specifications are to the latest revisions. Specifications are subject to change without notice.

Registered trademarks are the property of their respective companies. Made in USA