

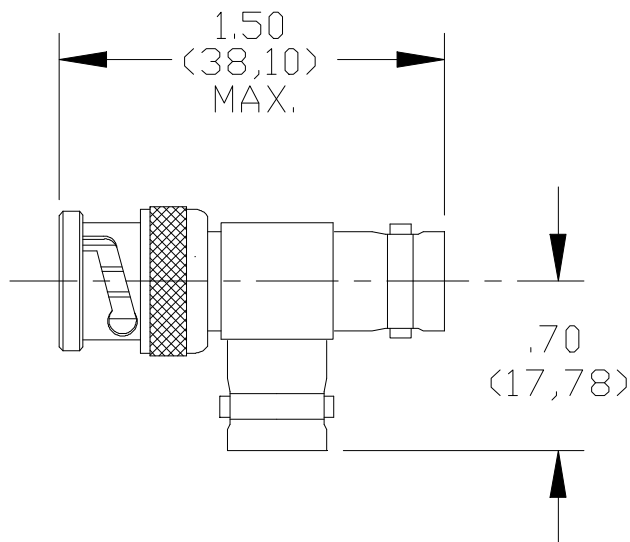
Pomona[®]

Model 4896 BNC "T" (Male-Female-Female) Coaxial Adapter

TRANSCAT[®]

▶ Visit us at Transcat.com!

35 Vantage Point Drive // Rochester, NY 14624 // Call 1.800.800.5001



MATERIALS:

Body and Fittings – Brass, Tarnish Resistant Plating, Center Contact – Female: Gold Plated Beryllium Copper,
Male: Gold Plated Brass, Outer Contact: Gold Plated Brass
Dielectric: PTFE

RATING:

Voltage: Shield/Earth: 30VAC/60VDC Max.
Inner Conductor/Shield: 500VRMS Max.
Operating Temperature: -65°C to +165°C
Nominal Impedance: 50 Ohms

ORDERING INFORMATION: Model 4896

All dimensions are in inches. Tolerances (except noted): .xx = $\pm .02$ " (.51 mm), .xxx = $\pm .005$ " (.127 mm).
All specifications are to the latest revisions. Specifications are subject to change without notice.
Registered trademarks are the property of their respective companies. Made in USA

TRANSCAT[®]

▶ Visit us at Transcat.com!

35 Vantage Point Drive // Rochester, NY 14624 // Call 1.800.800.5001