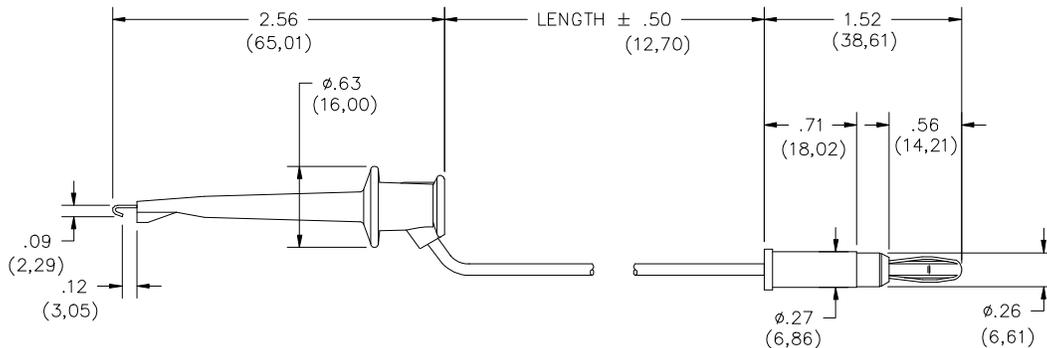


Pomona®

## Model 4650 Minigrabber® Test Clip To In-Line Banana Plug

**FEATURES:**

- Ideal for connecting terminals and wire wrap post to test equipment.
- Banana Plug mates to Model #4702, 1581 or any standard Banana Jack.

**MATERIALS:**

CONN: 1<sup>st</sup> End – Miniature Test Clip

Material: Contact; ¼ HM beryllium copper alloy 165 per QQ-C-533.

Spring: Stainless steel.

Finish: Gold plated per MIL-G-45204, type II, .00001/.00002.

Insulation: Molded glass filled nylon.

Operating Temp.: +102°C. (+216°F.) MAX. Color matches color of wire.

Marking: “POMONA ELECTRONICS MINI-TEST CLIP.”

Wire: 20 AWG. Stranding 41 x 36 tinned copper, extra flexible polyvinyl insulation, 2.21 (.087) O.D.

Color: See Ordering Information.

Marking: “POMONA 4650-XX.”

CONN: 2<sup>nd</sup> End – Banana Plug

Material: Spring; one piece heat treated Beryllium Copper, Berylco 25 per QQ-C-533.

Plug Body: Brass, H.H., per QQ-B-626, Alloy 360.

Finish: Nickel plated per QQ-N-290. Class 2 (.0002 Min.).

Insulation: Polypropylene molded to plug body and wire.

**RATINGS:** (Entire Assembly)

Operating Temp.: +55°C. (+131°F.) MAX.

Working Voltage: 300 VRMS/DC

Current: 5 Amperes Cont.

**ORDERING INFORMATION: 4650-XX-\***

XX = Cable Lengths, Standard Lengths: 12” (305), 18” (457), 24” (610), 36” (914), 48” (1219) & 60” (1524).

Additional lengths can be quoted upon request.

\*= Color, -0 Black, -2 Red.

Ordering Example: 4650-60-2      Indicates 60” in length, color is Red

All dimensions are in inches. Tolerances (except noted): .xx = ±.02” (.51 mm), .xxx = ±.005” (.127 mm).

All specifications are to the latest revisions. Specifications are subject to change without notice.

Registered trademarks are the property of their respective companies.

Made in USA