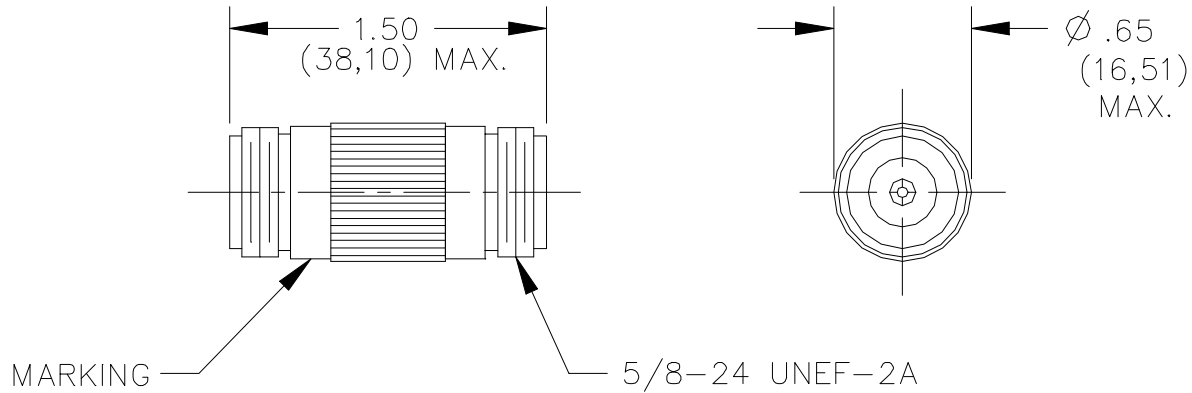


# Pomona®

## Model 3841 Adapter, N (F) To N (F)



### MATERIALS:

- Body and Fittings - Brass
- Center Contact – Gold Plated Beryllium Copper
- Connector meets the interface requirements of MIL-STD-348.

### Finish:

- Body and Fittings – White Bronze Plating
- Center Contact – Gold 30 microinches minimum over nickel 50 microinches.

Marking: “POMONA 3841”

### RATINGS:

- Operating Voltage: 1000 VRMS
- Nominal Impedance: 50 Ohms
- Dielectric – PTFE

### ORDERING INFORMATION: Model 3841

All dimensions are in inches. Tolerances (except noted): .xx = ±.02” (.51 mm), .xxx = ± .005” (.127 mm).  
 All specifications are to the latest revisions. Specifications are subject to change without notice.  
 Registered trademarks are the property of their respective companies.

Made in USA