

# Pomona<sup>®</sup>

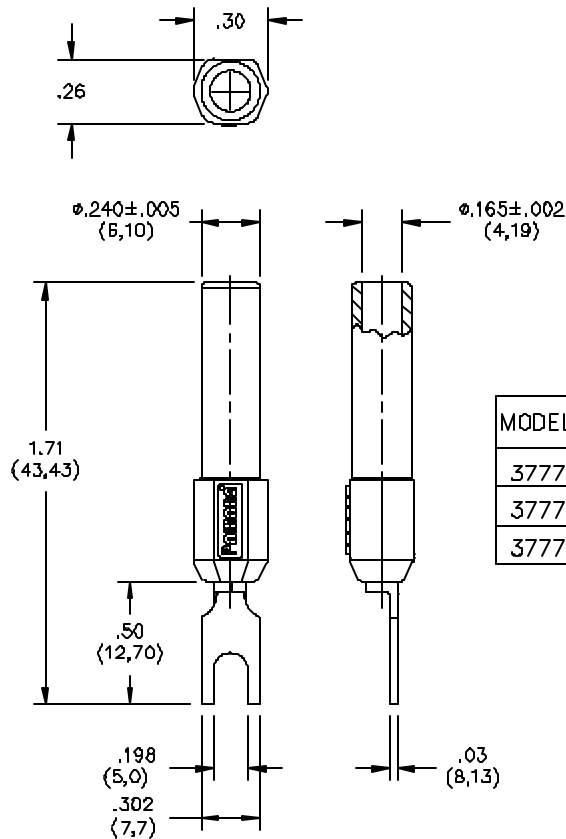
# TRANSCAT

▶ Visit us at [Transcat.com!](http://Transcat.com)

35 Vantage Point Drive Rochester, NY 14624  
Call 1.800.800.5001

## Model 3777A

## Spade Lug To Banana Jack



MODEL NO.	SPECIFY COLOR	LUG SIZE
3777A-0	BLACK	#8, #10
3777A-2	RED	#8, #10
3777A-02	SET 1 RED, 1 BLACK	

### MATERIALS:

Upper Conn.: Banana Jack

Brass per QQ-B-626, Alloy 360, 1/2 Hard.

Finish: Nickel plated per Q-N-290, Class 2, 200/300 microinches.

Insulation: Polypropylene (fire retardant) molded to Banana Jack Body. Color : See Tab Block.

Marking: "POMONA"

Lower Conn.: Spade Lug

Material: Copper.

Finish: Electro-tin plated.

### RATINGS:

Operating Temperature: +50° C (+122° F) Max.

Operating Voltage 5000 VDC

Current 15 Amperes

**ORDERING INFORMATION:** See table above

All dimensions are in inches. Tolerances (except noted): .xx = ±.02" (.51 mm), .xxx = ± .005" (.127 mm).

All specifications are to the latest revisions. Specifications are subject to change without notice.

Registered trademarks are the property of their respective companies. Made in USA

# TRANSCAT<sup>®</sup>

▶ Visit us at [Transcat.com!](http://Transcat.com)

35 Vantage Point Drive // Rochester, NY 14624 // Call 1.800.800.5001