

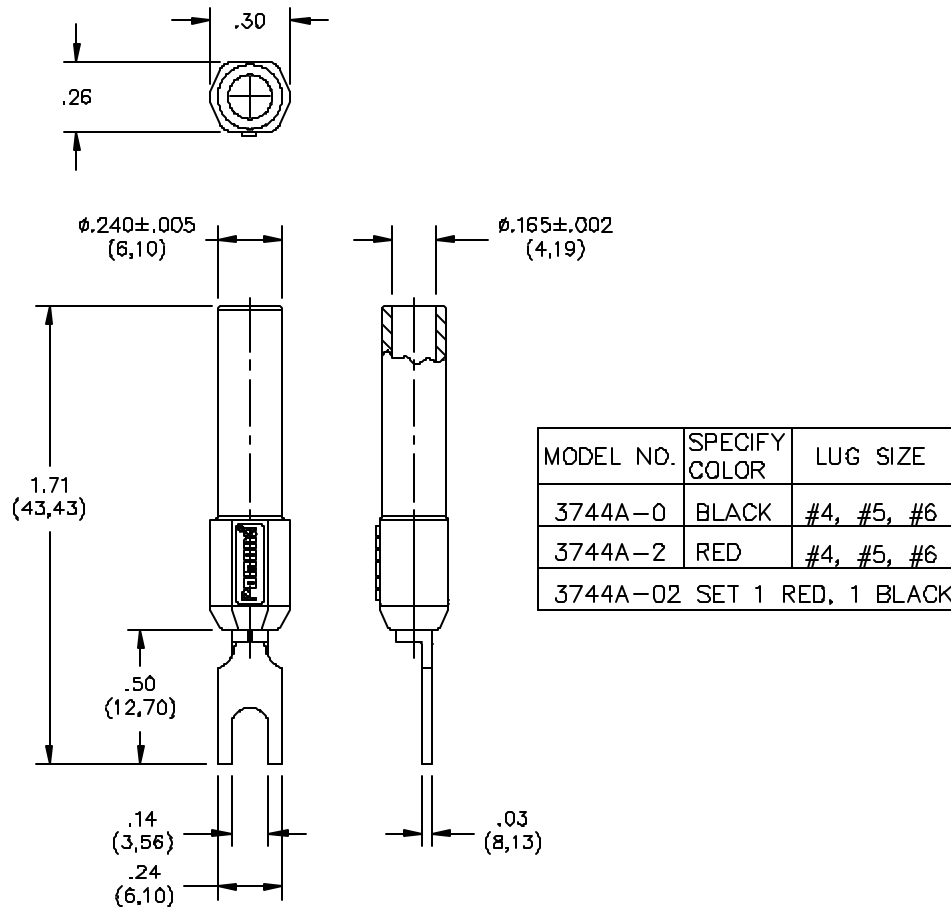
Pomona®

TRANSCAT

▶ Visit us at Transcat.com!

35 Vantage Point Drive Rochester, NY 14624
Call 1.800.800.5001

Model 3744A Spade Lug To Banana Jack



MATERIALS:

Upper Conn.: Banana Jack

Material: Brass per QQ-B-626, Alloy 360, 1/2 Hard.

Finish: Nickel plated per Q-N-290, Class 2, 200/300 microinches.

Insulation: Polypropylene (Fire Retardant) molded to Banana Jack Body. Color : See Tab Block.

Marking: "POMONA"

Lower Conn.: Spade Lug

Material: Copper.

Finish: Electro-tin plated.

RATINGS:

Operating Temperature: +50° C (+122° F) Max.

Operating Voltage: 5000 VDC

Current: 15 Amperes

ORDERING INFORMATION: See table above

All dimensions are in inches. Tolerances (except noted): .xx = ±.02" (.51 mm), .xxx = ± .005" (.127 mm).

All specifications are to the latest revisions. Specifications are subject to change without notice.

Registered trademarks are the property of their respective companies. Made in USA

TRANSCAT®

▶ Visit us at Transcat.com!

35 Vantage Point Drive // Rochester, NY 14624 // Call 1.800.800.5001