



Bourdon Tube Pressure Gauges

Inspector's Test Gauge
Stainless Steel Case & Wetted Parts
Accuracy $\pm 0.25\%$ or $\pm 0.5\%$ of Span
Test Series • Type 332.54

Pressure Gauges

Application

Fluid medium which does not clog port or corrode 316 stainless steel. Designed for testing and calibration of other pressure measuring instruments.

Size

4" (100 mm)

Accuracy

$\pm 0.25\%$ of span (ASME B40.1 Grade 3A)

Ranges 0/30" Hg Vac through 0/600 psi
0.25% of span (ASME B40.1 Grade 3A)

Ranges 0/2000 psi through 0/20,000 psi
0.25% of span (ASME B40.1 Grade 3A)

Note: Not available in ranges 600>2000psi

Ranges (All ranges not stocked)

Vacuum / Compound to 30"HG / 0 / 200 PSI

Pressure from 15 PSI to 10,000 PSI

or other equivalent units of pressure or vacuum

Working Range

Steady: Full scale value

Fluctuating: 0.9 x full scale value

Short time: 1.3 x full scale value

Operating Temperature

Ambient: -40°F to 140°F (-40°C to 60°C)

Media: max. 212°F (+100°C)

Temperature Error

Additional error when temperature changes from reference temperature of 68°F (20°C) $\pm 0.4\%$ for every 18°F (10°C) rising or falling. Percentage of span.

Standard Features

Connection

Material: 316 stainless steel

Lower mount (LM)

1/4" or 1/2" NPT

Bourdon Tube

Material: 316 stainless steel

30"Hg (Vac) to 1000 PSI C-type

1500 PSI to 10,000 PSI helical type

Movement

Stainless steel

Dial

White aluminum with black lettering and mirrored band.

Pointer

Black aluminum, micrometer adjustable, with knife edge.

Case

304 stainless steel with vent plug and polished stainless steel bayonet ring. Welded case to socket connection.

Weather Protection

Weather resistant (NEMA 4X / IP 54)



Standard Scale

PSI

Window Gasket

Buna-N

Window

Laminated safety glass

Other

Supplied standard with a zippered nylon carry case

ORDER OPTIONS (min. order may apply)

Custom dial layout

316 SS threaded restrictor

Acrylic window

Flat glass window

Special connections limited to wrench flat area

Other pressure scales available:

Bar, kPa, Kg/cm² and dual scales

DIN standards

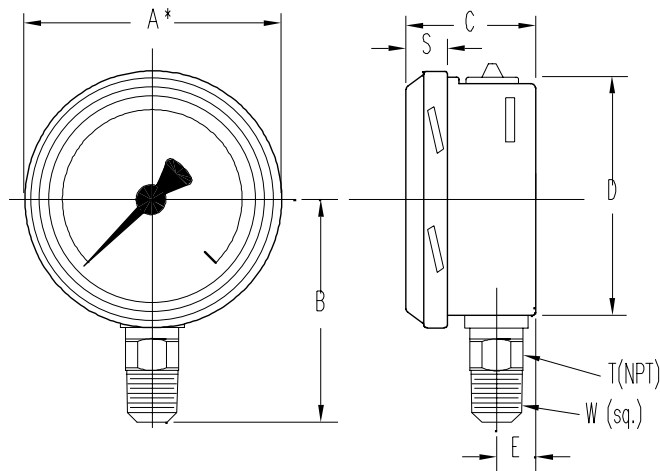
Cleaned for oxygen service

Drag pointer

APM332.54

(APM 03.10)

Dimensions:



A* NOMINAL SIZE

TYPE/SIZE	WEIGHT	KEY	A*	B	C	D	E	S	T	W
332.54 4"	1.76 lbs.	mm	100	82	49	100	16	15	--	22
		in	4.0	3.23	1.93	3.94	.63	.59	1/4"	.87

NOTE: For gauges with 1/2" NPT connection, add 5mm (0.02 in.) to "B" dimension



35 Vantage Point Drive // Rochester, NY 14624 // Call 1.800.800.5001

THE MEASURE OF
Total Performance™

Ordering Information:

State computer part number (if available) / type number / size / range / connection size and location / options required.

Specifications given in this price list represent the state of engineering at the time of printing. Modifications may take place and the specified materials may change without prior notice



WIKAI Instrument Corporation