

LG Series

Low Capacity Mechanical Force Gauge

TRANSCAT

▶ Visit us at Transcat.com!

35 Vantage Point Drive // Rochester, NY 14624 // Call 1.800.800.5001

Specification Sheet

SS-FM-3001-0904

September 2004

The CHATILLON® LG Series mechanical force gauge is ideal for a wide range of force testing applications. Based on our popular DPP Series force gauge, the LG Series features a larger, 2.25-inch dial for improved resolution and readability, peak hold button, ergonomic shape and improved accuracy of $\pm 0.5\%$ of full scale. The LG gauge is an excellent, economical solution for tensile or compression testing.

The durable, plastic housing fits naturally in the hand for a comfortable and firm grip even at maximum loads. Gauges may be mounted to a test stand for even greater control and consistent results in repetitive testing applications. Easy to read concentric dial measures clockwise only. Dial rotates 360-degrees for taring. A peak hold button captures peak readings and can be easily and quickly returned to zero. A mechanical overload feature protects the gauge from damage. Available in lbf, kgf or N units of measure. LG Series gauges come complete with protective carrying case and a set of stainless steel attachments. A Certificate of Calibration with Data is supplied standard.

Features

- ❑ Three Models, Eight Capacities Each
- ❑ Tensile (Pull) and Compression (Push) Testing
- ❑ Intrinsically Safe
- ❑ Tare Ring
- ❑ Peak Load Switch
- ❑ Universal Mounting
- ❑ NIST Calibration with Data
- ❑ 2 Year Warranty

Specifications

| | |
|-------------------------------|----------------------------------|
| Accuracy: | $\pm 0.5\%$ of Full Scale |
| Overload Capacity: | 110% of Rated Capacity |
| Maximum Overload: | 150% of Rated Capacity |
| Tare Capacity: | 10% of Rated Capacity |
| Dial Resolution: | 0.5% of Full Scale |
| Deflection: | 10mm (.394 inches) at Full Scale |
| Operating Temperature: | 40°F to 110°F (5°C to 45°C) |
| Instrument Weight: | 1.5 lbs (0.68 kg) |
| Shipping Weight: | 8.4 lbs (3.80 kg) |

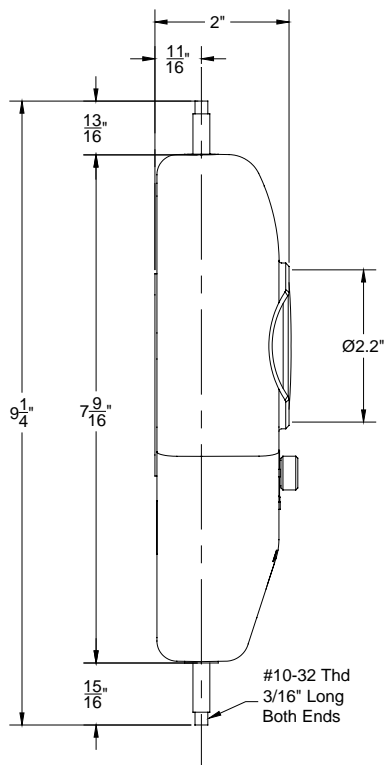
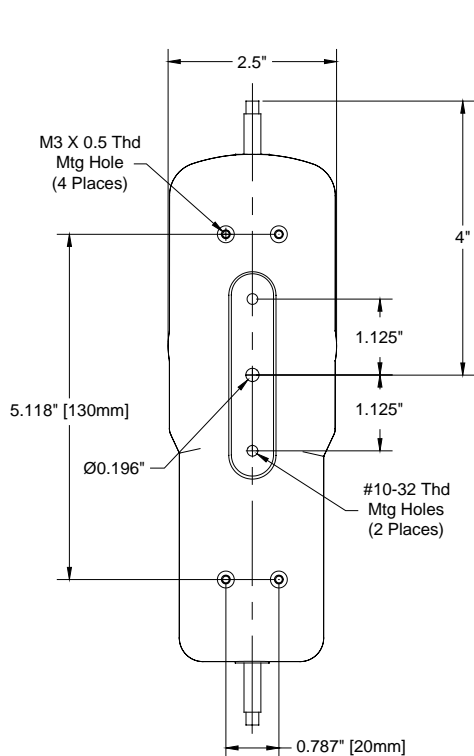


You Get More with Your CHATILLON Gauge.

Chatillon 

A registered trademark of AMETEK Inc.

Dimensions



E96-328
LG GAUGE SERIES

Accessories

Standard Accessories

| Part No. | Description |
|---------------------------|---------------------------|
| SPK-FMG-008A | Chisel Point |
| SPK-FMG-009A | Point |
| SPK-FMG-010A | Notch |
| SPK-FMG-011A | Flat |
| SPK-FMG-012A ¹ | Hook, Stationary, 20 lbf |
| SPK-FMG-012B ¹ | Hook, Stationary, 100 lbf |
| SPK-FMG-013A | Extension Rod, 6-inch |
| NC002710 | Carrying Case |
| NC002711 | Operator's Manual |

Note: ¹ Capacity dependent.

Optional Accessories

| Part No. | Description |
|------------|------------------------|
| ML3867 | Hook, Swivel (20 lbf) |
| ML3850 | Hook, Swivel (100 lbf) |
| NC000988-3 | Extension Rod, 3-inch |

Ordering

Decimal Dials (LBF)

| Model | Capacity x Resolution |
|--------|-----------------------|
| LG-002 | 2 x 0.01 lbf |
| LG-005 | 5 x 0.025 lbf |
| LG-010 | 10 x 0.05 lbf |
| LG-020 | 20 x 0.1 lbf |
| LG-030 | 30 x 0.15 lbf |
| LG-050 | 50 x 0.25 lbf |
| LG-075 | 75 x 0.375 lbf |
| LG-100 | 100 x 0.5 lbf |

Decimal Dials (KGF)

| Model | Capacity x Resolution |
|---------|-----------------------|
| LG-1KG | 1 x 0.005 kgf |
| LG-2KG | 2 x 0.01 kgf |
| LG-3KG | 3 x 0.015 kgf |
| LG-5KG | 5 x 0.025 kgf |
| LG-10KG | 10 x 0.05 kgf |
| LG-20KG | 20 x 0.1 kgf |
| LG-30KG | 30 x 0.15 kgf |
| LG-50KG | 50 x 0.25 kgf |

S.I. Dials (Newtons)

| Model | Capacity x Resolution |
|---------|-----------------------|
| LG-10N | 10 x 0.05 N |
| LG-20N | 20 x 0.1 N |
| LG-30N | 30 x 0.15 N |
| LG-50N | 50 x 0.25 N |
| LG-100N | 100 x 0.5 N |
| LG-200N | 200 x 1 N |
| LG-300N | 300 x 1.5 N |
| LG-500N | 500 x 2.5 N |

AMETEK
TEST AND CALIBRATION INSTRUMENTS

TRANSCAT

▶ Visit us at Transcat.com!

35 Vantage Point Drive // Rochester, NY 14624 // Call 1.800.800.5001