

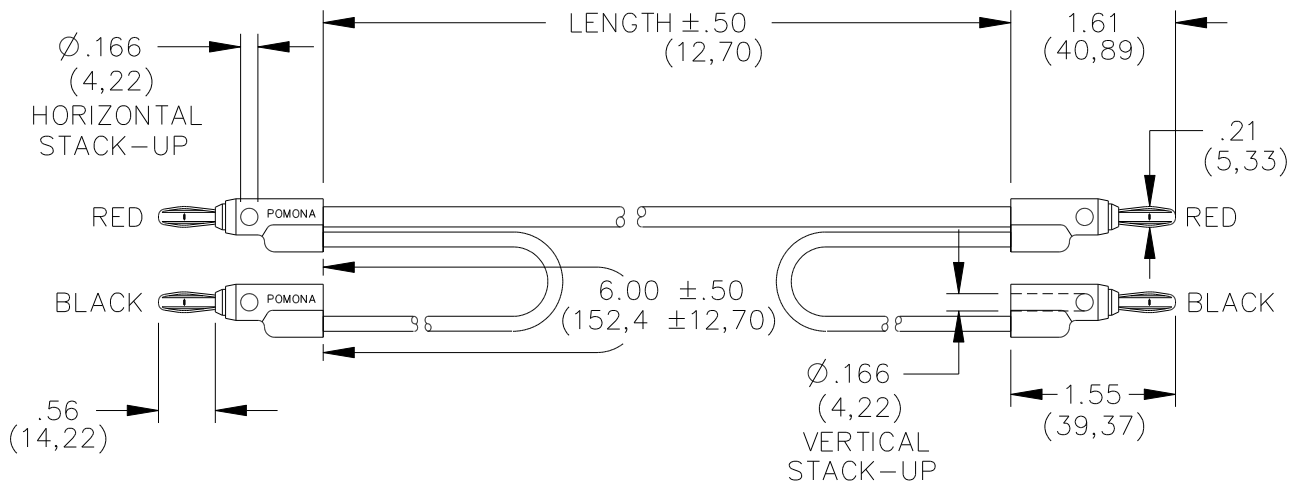
Pomona®

TRANSCAT

▶ Visit us at Transcat.com!

35 Vantage Point Drive Rochester, NY 14624
Call 1.800.800.5001

Model 2239 Single Stacking Banana Plugs Both Ends Cable Assembly



MATERIALS:

Banana Plugs:

Plug Body: Brass, Nickel Plated

Spring: Beryllium Copper, Nickel Plated

Insulation: Polypropylene Molded to the Plug Bodies, Cable and Wires. Color: 2 Red and 2 Black

Marking: POMONA ELECTRONICS POMONA CALIFORNIA

Cable: RG58C/U, Cap. pf/ft.-30.8, Nom. Imp.-50Ω, cable dia. .195

Marking: POMONA 2239-C-XX

Wire: 18 AWG, Stranding 65 x 36 t.c., PVC Insulated .144" (3,66) O.D.

Color: Black.

RATINGS:

Operating Temperature: +55°C Max.

Operating Voltage: 1400 VRMS.

ORDERING INFORMATION: Model 2239-C-XX

XX = Cable Length, Standard Lengths: 24" (60,96cm), 36" (91,44cm), 48" (121,92cm).

Additional lengths can be quoted upon request.

Ordering Example: 2239-C-24 Cable Assembly is 24" (60,96cm).

All dimensions are in inches. Tolerances (except noted): .xx = ±.02" (.51 mm), .xxx = ±.005" (.127 mm).

All specifications are to the latest revisions. Specifications are subject to change without notice.

Registered trademarks are the property of their respective companies. Made in USA

TRANSCAT®

▶ Visit us at Transcat.com!

35 Vantage Point Drive // Rochester, NY 14624 // Call 1.800.800.5001