

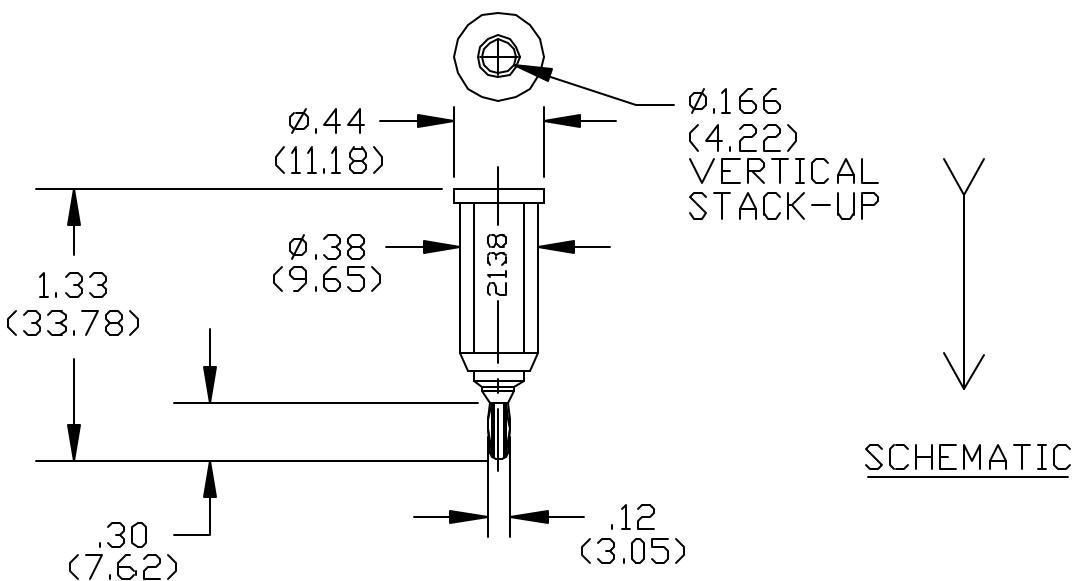
Pomona®

TRANSCAT

▶ Visit us at [Transcat.com!](http://Transcat.com)

35 Vantage Point Drive Rochester, NY 14624
Call 1.800.800.5001

Model 2138 Standard Banana Jack To Miniature Banana Plug



FEATURES:

- Permits standard banana plug to be used with equipment having miniature banana jacks.

MATERIALS:

Upper Conn.: Banana Jack

Material: Body, Brass, H.H. per QQ-B-626, Alloy 360.

Finish: Nickel plate per QQ-N-290, Class 2 (.0002 min.).

Insulation: Acrylonitrile – Butadiene – Styrene, molded to banana jack and banana plug body.

Operating Temperature: +50°C. (+122°F.) Max.

Marking: "POMONA ELECTRONICS CALIF. 2138."

Lower Conn.: Miniature Banana Plug

Material: Spring, one piece heat treated Beryllium Copper, Berylco 25 per QQ-C-533.

Finish: Nickel plate per QQ-C-290, Class 2 (.0002 min.).

RATINGS: (Entire Assembly)

Operating Temperature: +50°C. (+122°F.) Max.

Operating Voltage: 2500 VDC

Current: 5 Amperes Cont.

ORDERING INFORMATION: Model 2138-*

*=Color, -0 Black, -2 Red

Ordering Example: 2138-2 Color is Red

All dimensions are in inches. Tolerances (except noted): .xx = $\pm.02$ " (.51 mm), .xxx = $\pm.005$ " (.127 mm).

All specifications are to the latest revisions. Specifications are subject to change without notice.

Registered trademarks are the property of their respective companies. Made in USA

TRANSCAT®

▶ Visit us at [Transcat.com!](http://Transcat.com)

35 Vantage Point Drive // Rochester, NY 14624 // Call 1.800.800.5001