

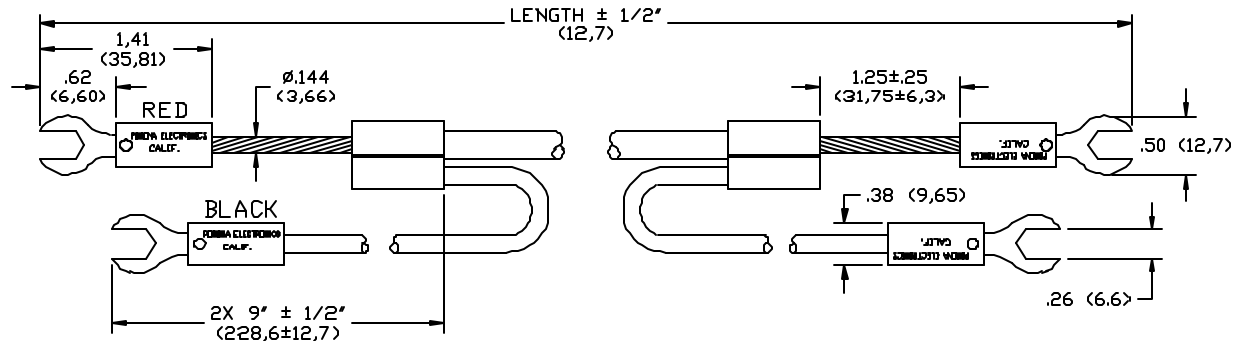
# Pomona®

# TRANSCAT

▶ Visit us at [Transcat.com](http://Transcat.com)!

35 Vantage Point Drive Rochester, NY 14624  
Call 1.800.800.5001

## Model 1756 Shielded Low Voltage Spade Lug Patch Cord



### FEATURES:

- Pomona's Model 1756 is part of a family of test accessories ideal for low voltage precision measurements.
- Spade lugs are of high conductivity, gold plated ETP copper alloy 110, to greatly minimize the effect of Thermal Electric Voltage (Thermal EMF).
- Thermal EMF is generated at the junction of dissimilar metals at different temperatures and is a common source of error in low micro and nano volt measurements.
- In addition, low Thermal EMF spade lugs are attached to the wire shield to lessen interference, interaction, or leakage which might affect the accuracy of your precision voltage measurement.

### MATERIALS:

Spade Lugs: ETP (Electrolytic Tough Pitch) 110 Copper Alloy, 1/2 Hard, Gold Plated

Insulation: Polypropylene, molded to spade lug body and wire. Color: Red and Black

Marking: "POMONA ELECTRONICS CALIF"

Cable: 12 AWG; Stranding 7 x 38/36 Bare Copper, Braided Bare Copper Shield, Inner Insulation: Natural

Polyethylene, O.D. .144" (3,66mm), Outer Jacket: PVC, Color: Black, O.D. .246" (6,25mm),

Marking: "POMONA 1756-XX"

Shield Lead: 18 AWG, Stranding 65 x 36 t.c., PVC Insulated, O.D.: .144" (3,66)

### RATINGS:

Operating Voltage: 2000 VRMS/DC

Operating Temperature: +55° C (+131°F). Max.

Current: 20 Amperes Max.

### ORDERING INFORMATION: Model 1756-XX

XX = Length in inches, Standard lengths: 24" (60,96cm) & 48" (121,92cm).

Additional lengths can be quoted upon request.

All dimensions are in inches. Tolerances (except noted): .xx = ±.02" (.51 mm), .xxx = ±.005" (.127 mm).

All specifications are to the latest revisions. Specifications are subject to change without notice.

Registered trademarks are the property of their respective companies. Made in USA

# TRANSCAT®

▶ Visit us at [Transcat.com](http://Transcat.com)!

35 Vantage Point Drive // Rochester, NY 14624 // Call 1.800.800.5001